



LBIW Inc.

2020 WEST 14TH STREET
LONG BEACH, CA. 90813
Tel No. : (562) 432.5451
Fax No. : (562) 432.5929

www.lbiw.com

PRODUCT NUMBER

LB 2925

LOAD RATING

TRAFFIC RATED

COATING

ASPHALTUM (BLACK)

EST. WEIGHT

WEIGHTS MAY VARY
MINUS 5 %, PLUS 10 %

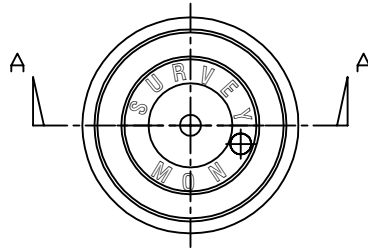
SPECIFICATION

CALTRANS STD. DWG.
NO. A74 TYPE D

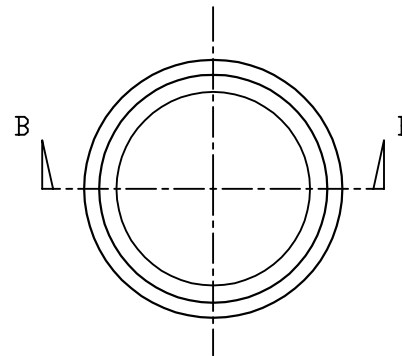
DRAWN EB	DATE 01-14-09
REVISED 02-19-09	DATE

REFERENCE INFORMATION

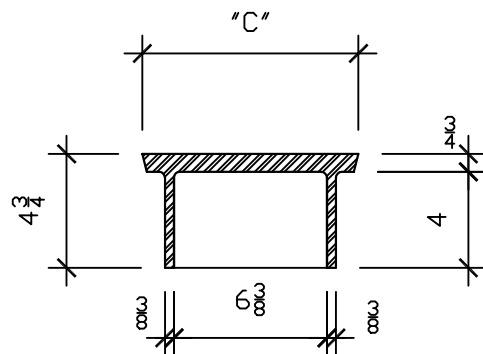
SECTION 03



PLAN

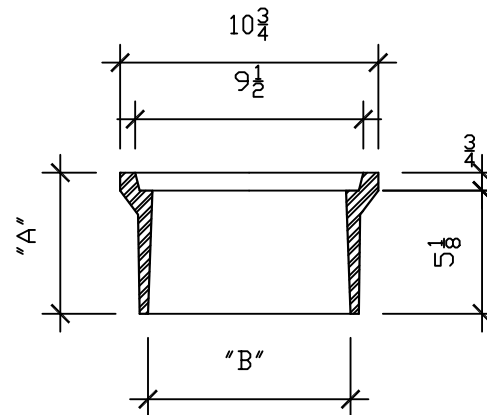


PLAN



SECTION A-A

ACCESS COVER



SECTION B-B

ACCESS FRAME

NOTE : ALL MEASUREMENTS ARE IN INCHES

SEWER CLEANOUT ASSEMBLY

CATALOG NUMBER	OVERALL HEIGHT "A"	CLEAR OPENING "B"	O.D. OF COVER "C"	APPROX. WEIGHT
LB 2925	5 7/8"	8 7/16"	9"	50 lbs