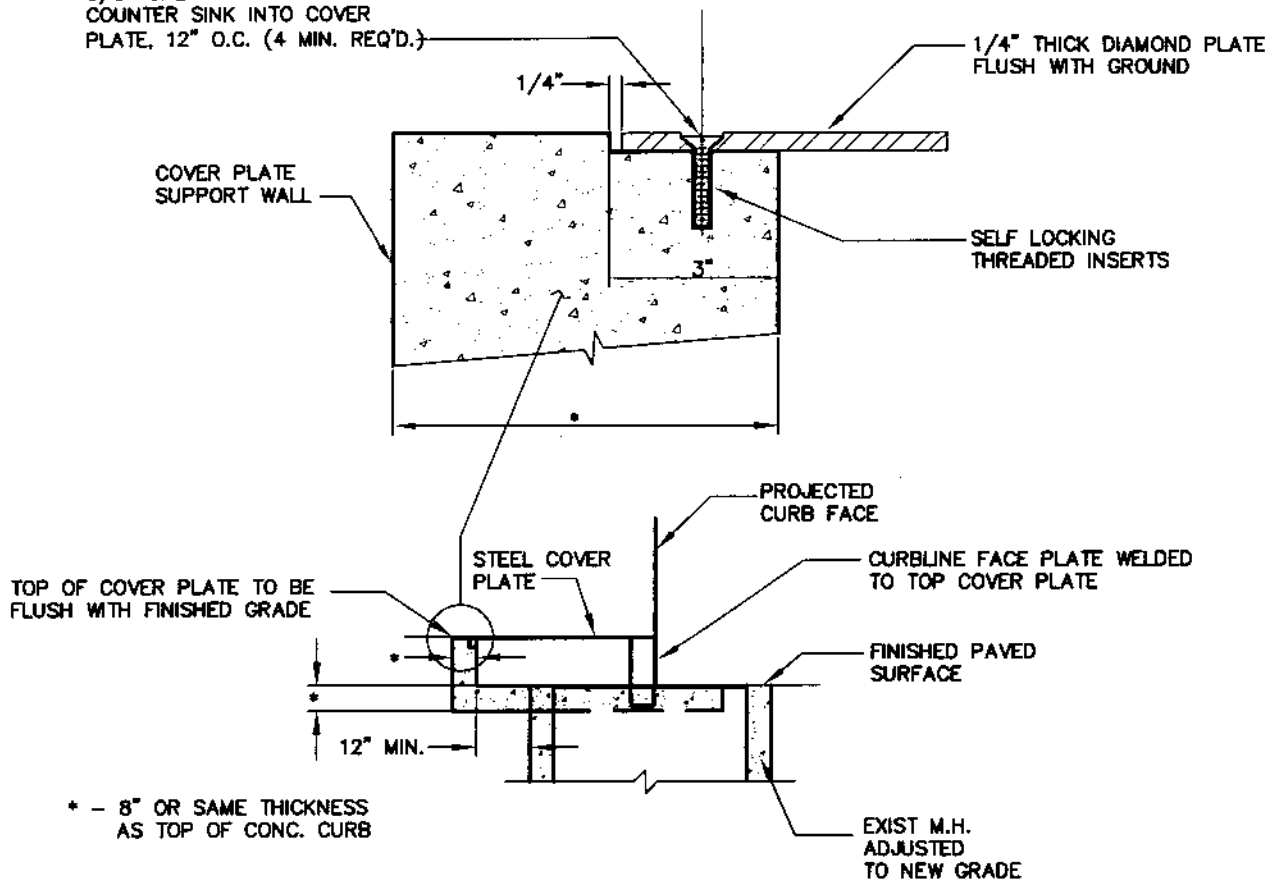
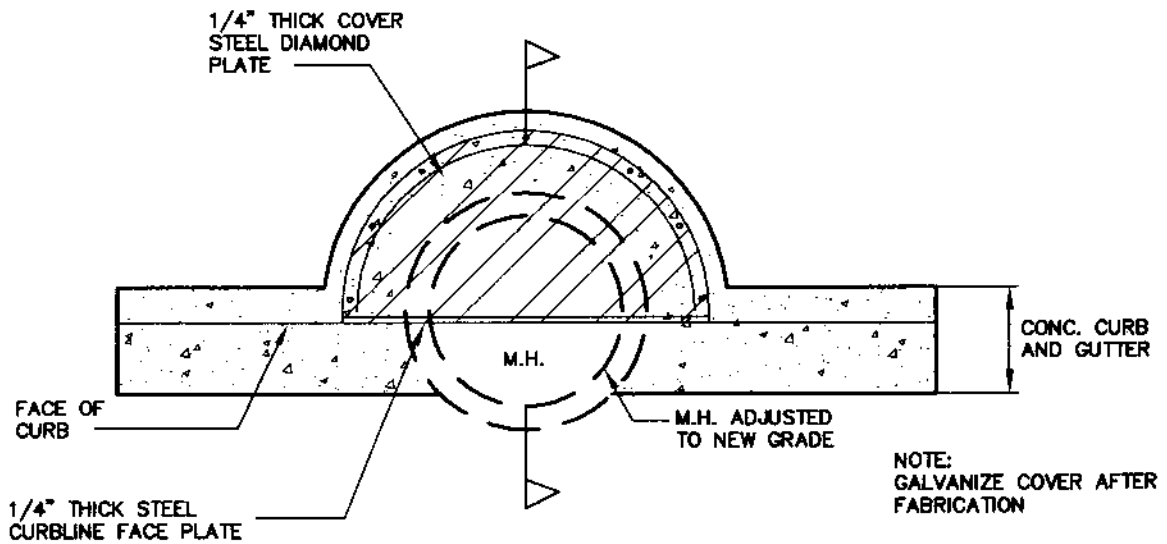


3/8" GALV. MACHINE SCREWS.
COUNTER SINK INTO COVER
PLATE, 12" O.C. (4 MIN. REQ'D.)



SECTION



CURBLINE MANHOLE ACCESS COVER DETAIL

NTS

REVISION	DATE	BY	DESCRIPTION	CALLEGUAS MUNICIPAL WATER DISTRICT	STANDARD DRAWINGS	DWG NO
1	7/98	CDM	GENERAL		CURBLINE MANHOLE	712
2	3/02	P&E	GENERAL			

APPROVED *Susan B. Mulligan* 4/25/02
MANAGER OF ENGINEERING DATE THOUSAND OAKS CALIFORNIA