

EAST JORDAN
 IRON WORKS, INC.
 P.O. BOX 439
 EAST JORDAN, MI. 49727
 1-800-874-4100
 FAX 231-536-4458

DRAWN TCL	DATE 12/16/03
APPROVED	DATE

**MANHOLE
 COVER**
 LBIW X106

PRODUCT NO.
00310628

CATALOG NO.
 3106C

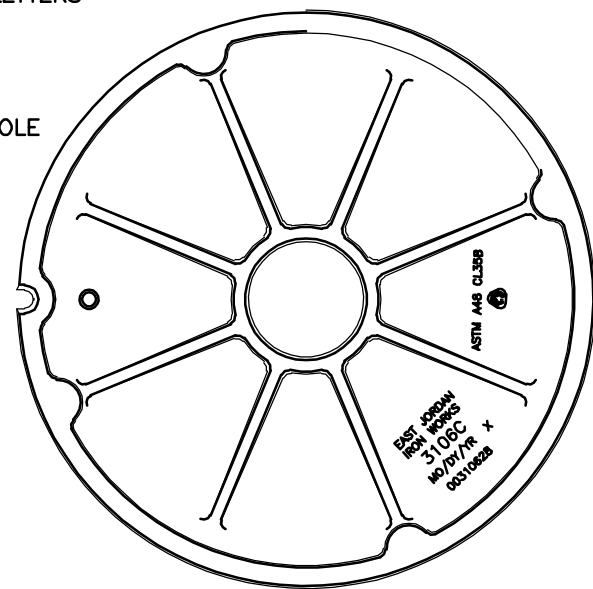
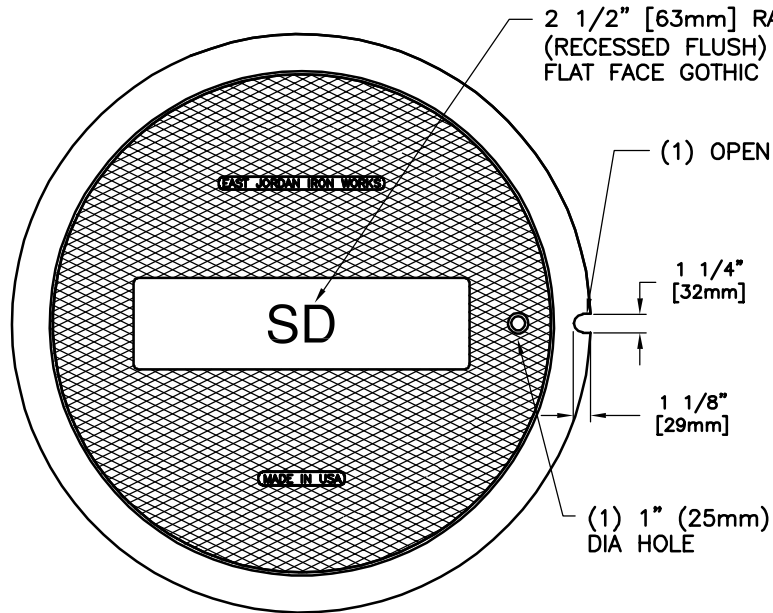
REF. PRODUCT DRAWING
 310620

EST. WT.
 COVER: 300 LBS 136kg

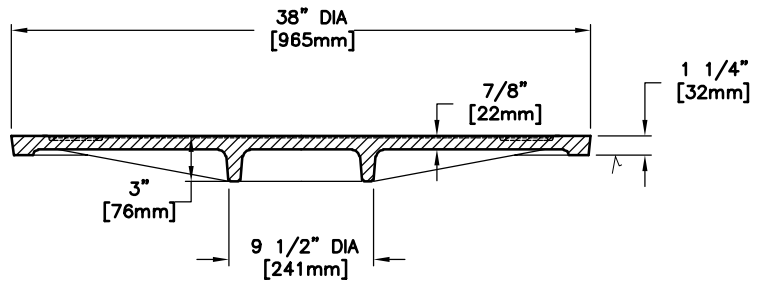
OPEN AREA
 N/A

MAT'L SPEC.
 COVER - GRAY IRON
 ASTM A48 CL35B

LOAD RATING
 HEAVY DUTY



COVER BACK



SECTION

√ MACHINED SURFACE