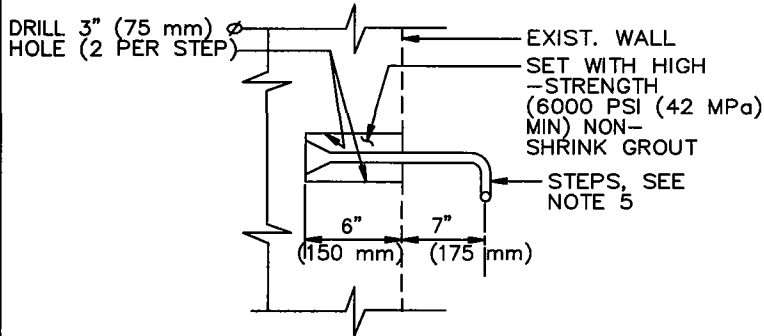
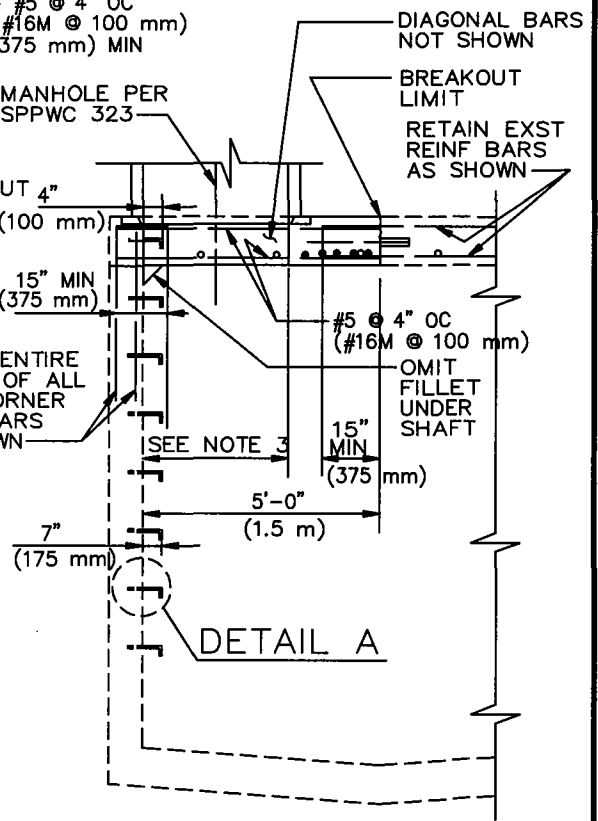


MANHOLE DETAIL

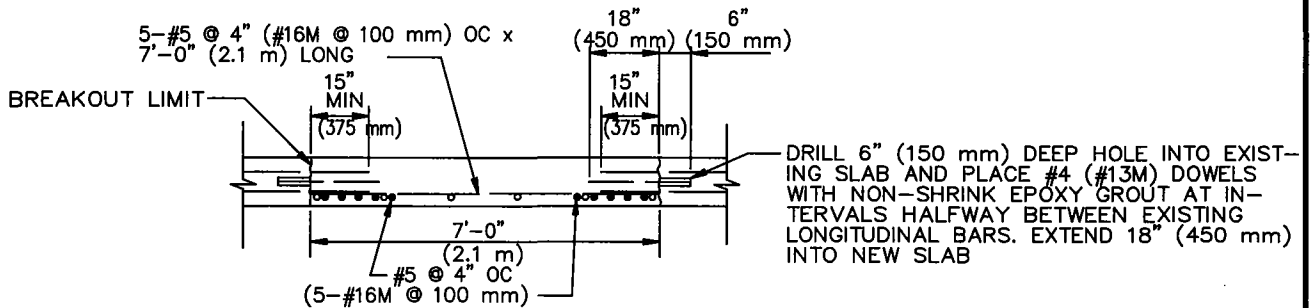


DETAIL "A"

PLACEMENT OF STEEL STEP IN EXISTING RCB



SECTION A-A



SECTION B-B

LEGEND

- EXISTING REINFORCING BARS
- ADDED REINFORCING BARS

STANDARD PLANS FOR PUBLIC WORKS CONSTRUCTION

PROMULGATED BY THE
PUBLIC WORKS STANDARDS INC.
GREENBOOK COMMITTEE
1992
REV. 1996, 2009

MANHOLE FOR EXISTING RCB

USE WITH STANDARD SPECIFICATIONS FOR PUBLIC WORKS CONSTRUCTION

STANDARD PLAN

327-2

SHEET 1 OF 3