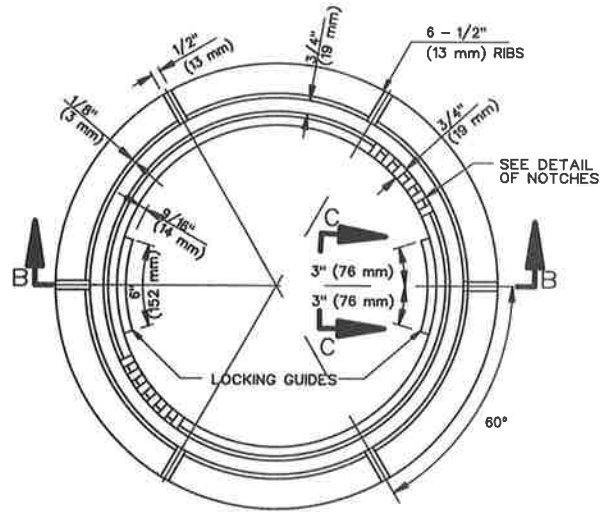
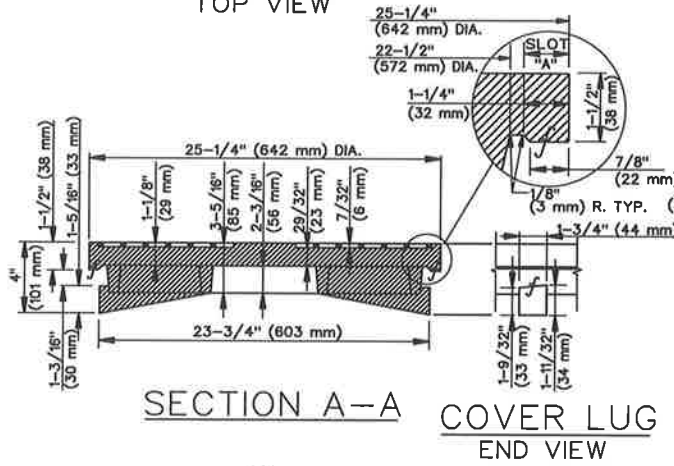


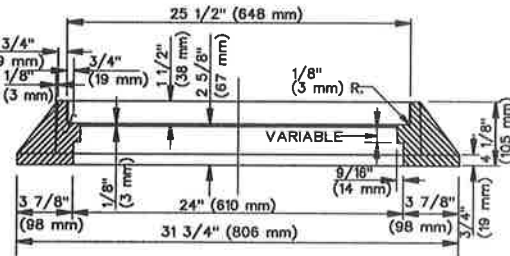
PLAN OF COVER
TOP VIEW



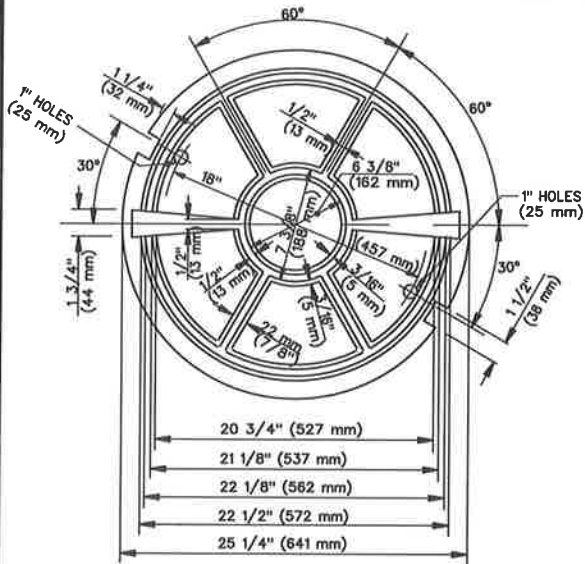
PLAN OF FRAME



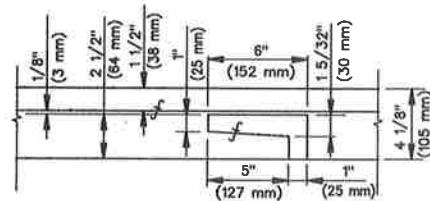
SECTION A-A
COVER LUG
END VIEW



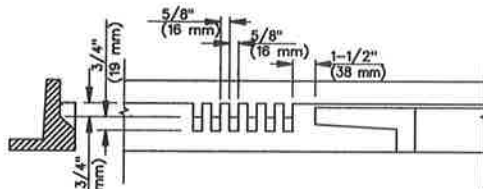
SECTION B-B



PLAN OF COVER
BOTTOM VIEW



LOCKING GUIDE
SECTION C-C



DETAIL OF NOTCHES

STANDARD PLANS FOR PUBLIC WORKS CONSTRUCTION

PROMULGATED BY THE
PUBLIC WORKS STANDARDS INC.
GREENBOOK COMMITTEE
1984
REV. 1993, 1998, 2009, 2021

**24" (610 mm) MANHOLE FRAME
AND COVER LOCKING TYPE**

USE WITH STANDARD SPECIFICATIONS FOR PUBLIC WORKS CONSTRUCTION

STANDARD PLAN

210-4

SHEET 1 OF 2

NOTES:

1. THE CAST IRON USED SHALL CONFORM TO ASTM A48 (A48M) CLASS 35B.
2. THE FRAME AND COVER SHALL BE COATED WITH ASPHALTUM OR BITUMINOUS PAINT AFTER TESTING AND INSPECTION.
3. COVERS SHALL BE CAST WITH THE LETTER "D" FOR STORM DRAINS AND "S" FOR SEWERS AND THE AGENCY IDENTIFICATION IN ACCORDANCE WITH INSTRUCTIONS FURNISHED BY THE AGENCY. THE LETTER "D" OR "S" SHALL BE APPROXIMATELY 2-1/2" (65 mm) HIGH WITH 1/2" (13 mm) LINE WIDTH AND PLACED IN THE CENTER OF THE COVER. ALL LETTERS SHALL BE FLUSH WITH THE FINISHED SURFACE OF THE COVER.
4. FOUNDRY IDENTIFYING MARK, HEAT AND DATE SHALL BE CAST ON THE BOTTOM OF THE COVER AND ON THE INSIDE OF THE FRAME.
5. IMPORTED COVERS AND FRAMES SHALL HAVE THE COUNTRY OF ORIGIN MARKING IN COMPLIANCE WITH FEDERAL REGULATIONS.
6. WEIGHT OF FRAME SHALL BE 160 POUNDS (73 kg). WEIGHT OF COVER SHALL BE 200 POUNDS (91 kg). ACTUAL WEIGHTS SHALL BE WITHIN A RANGE OF 95% TO 110%.
7. THE MANHOLE FRAME AND COVER SHALL BE INSPECTED BY THE ENGINEER PRIOR TO SHIPMENT TO THE JOB SITE. ACCEPTANCE WILL BE INDICATED BY THE AGENCY'S MARK.
8. COVERS FOR MANHOLES LOCATED IN EASEMENTS, ALLEYS, PARKWAYS AND ALL OTHER PLACES EXCEPT PAVED STREETS SHALL BE PROVIDED WITH SOCKET SET SCREW LOCKING DEVICES. DRILL AND TAP TWO HOLES TO A DEPTH OF 1" (25 mm) AT 90 DEGREES TO PICK HOLE AND INSTALL 3/4" x 3/4" (19 x 19 mm) STAINLESS STEEL SOCKET SET SCREWS WITH 3/8" (10 mm) RECESSED HEX HEAD. ALL THREADS SHALL BE NC.

STANDARD PLANS FOR PUBLIC WORKS CONSTRUCTION

**24" (610 mm) MANHOLE FRAME
AND COVER LOCKING TYPE**

STANDARD PLAN

210-4

SHEET 2 OF 2