

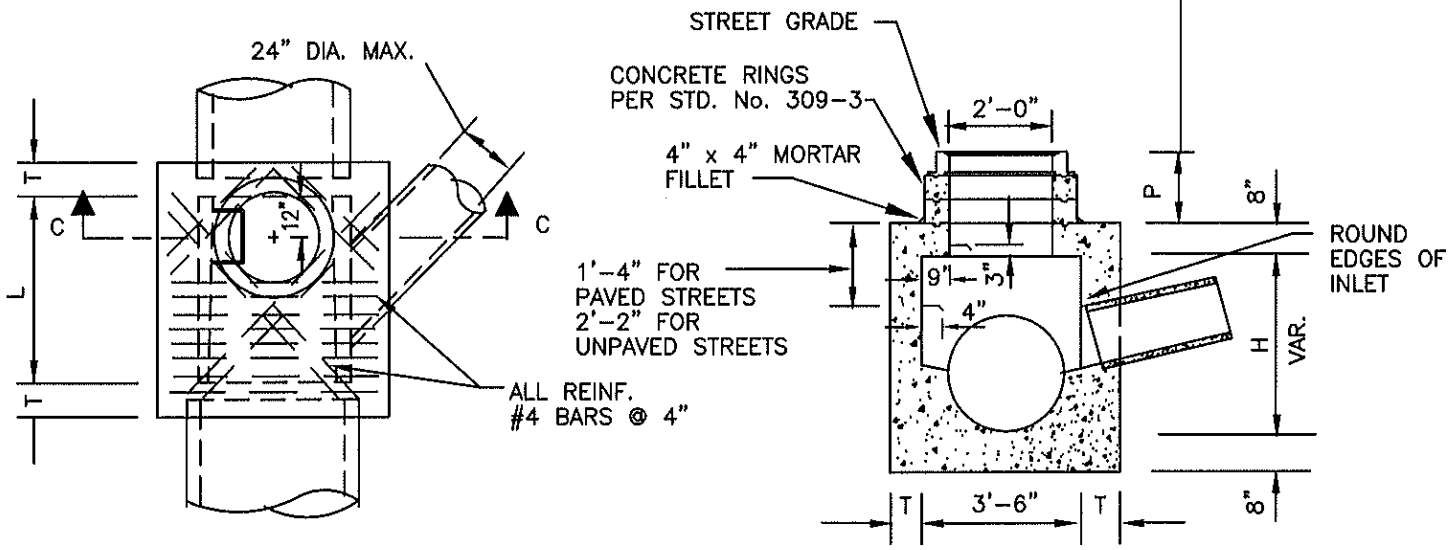
NOTES:

1. USE JUNCTION STRUCTURE NO. 1 FOR MAINLINE PIPES 39 INCH DIA. OR LESS.
2. SEE SHEET 2 OF 2 FOR NOTES AND OTHER DETAILS.

REVISIONS	CITY OF FOUNTAIN VALLEY		STANDARD PLAN NO. 305-1
	JUNCTION STRUCTURE NO. 1		
	 APPROVED BY: MARK LEWIS R.C.E. 49335 CITY ENGINEER	DATE: 08/03/03	SHEET: 1 OF 2

	MAX.	MIN.
PAVED STREETS	11"	8-1/2"
UNPAVED STREETS	16"	15"

SEE NOTE 4



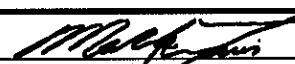
DETAIL N

SHAFT NOT SHOWN
SEE NOTE 4

SECTION C-C

NOTES:

- HEIGHT "H", IN SECTION A-A & SECTION B-B, SHALL NOT BE LESS THAN 4'-0", BUT MAY BE INCREASED AT THE OPTION OF THE ENGINEER, PROVIDED THAT THE VALUE OF "M" (SEE STD. PLAN No. 305) SHALL BE NOT LESS THAN THE MINIMUM SPECIFIED AND THAT THE REDUCER SHALL BE USED. FOR "H", IN SECTION C-C, SEE NOTE 4.
- LENGTH "L" SHALL BE 4 FEET UNLESS OTHERWISE SHOWN ON THE PLANS.
- THE SHAFT SHALL BE CONSTRUCTED IN ACCORDANCE WITH SECTION C-C & DETAIL "N" WHEN DEPTH "M" FROM STREET GRADE TO TOP OF BOX IS LESS THAN 2'-10-1/2" FOR PAVED STREETS OR 3'-6" FOR UNPAVED STREETS (SEE STD. No. 305).
- DEPTH "P" MAY BE REDUCED TO AN ABSOLUTE LIMIT OF 6 INCHES WHEN LARGER VALUE OF "P" WOULD REDUCE "H", IN SECTION C-C, TO 3 FEET- 6 INCHES OR LESS.
- STEPS SHALL BE 3/4 INCH ROUND GALVANIZED STEEL AND ANCHORED NOT LESS THAN 6 INCHES IN THE WALLS OF STRUCTURE. UNLESS OTHERWISE SHOWN, STEPS SHALL BE PLACED 1'-4" ON CENTER. THE LAST STEP SHALL BE NOT MORE THAN 2' ABOVE THE LEDGE AT THE SIDE OF THE MANHOLE FLOOR.
- "T" SHALL BE 8 INCHES FOR VALUES OF "H" TO 8 FEET. "T" SHALL BE 10 INCHES FOR VALUE OF "H" OVER 8 FEET.
- ALL REINFORCING STEEL SHALL HAVE 1-1/2 INCHES CLEAR FROM FACE OF CONCRETE.
- FLOOR OF MANHOLE SHALL BE STEEL TROWELED.
- RINGS, REDUCER AND PIPE FOR ACCESS SHAFT SHALL BE SEATED IN 1:2 MORTAR AND NEATLY POINTED OR WIPED INSIDE THE SHAFT.
- LEDGE SHALL BE SLOPED AT 2 INCHES PER FOOT.
- CONCRETE : f'c = 3250 p.s.i. AT 28 DAYS.

REVISIONS	CITY OF FOUNTAIN VALLEY		STANDARD PLAN NO. 305-2
	JUNCTION STRUCTURE NO. 1		
	APPROVED BY:  MARK LEWIS R.O.E. 49335 CITY ENGINEER	DATE: 06/03/03	