



**LBIW Inc.**

2020 WEST 14TH STREET  
 LONG BEACH, CA. 90813  
 Tel No. : (562) 432.5451  
 Fax No. : (562) 432.5929  
 www.lbiw.com

**PRODUCT NUMBER**  
**LB 1252B**

\*DIAMOND TREAD PATTERN  
 \*BOLTED  
 \*GASKET INCLUDED  
 UPON REQUEST

**LOAD RATING**  
 TRAFFIC RATED

**COATING**  
 ASPHALTUM (BLACK)

**EST. WEIGHT**

COVER	243 IBS
FRAME	164 IBS
<b>TOTAL WT.</b>	<b>407 LBS.</b>

WEIGHTS MAY VARY  
 MINUS 5 %, PLUS 10 %

**SPECIFICATION**

COVER-GRAY IRON  
 ASTM A48 CL35B  
 FRAME-GRAY IRON  
 ASTM A48 CL35B

**DESIGNATES MACHINED**

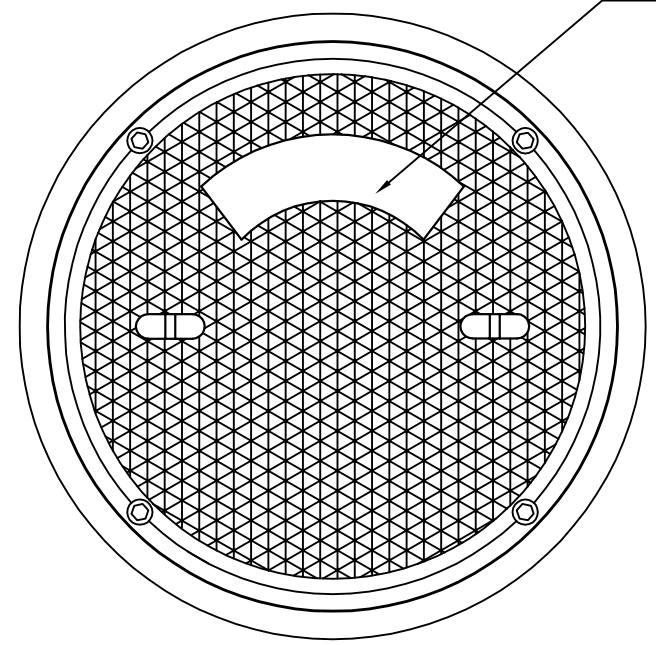
<b>DRAWN</b>	<b>DATE</b>
EB	04-13-09
<b>REVISED</b>	<b>DATE</b>
05-22-09	

**REFERENCE INFORMATION**

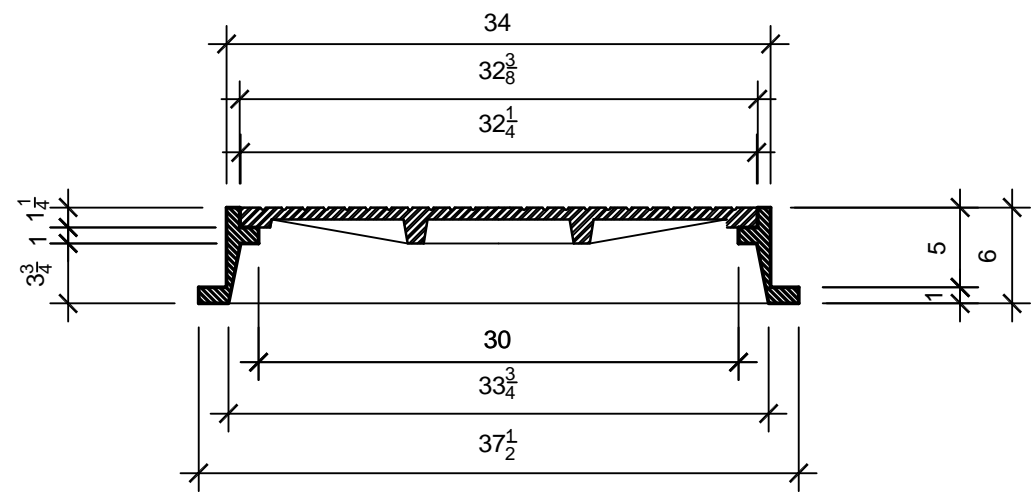
SECTION 02

**TAG INSERT OPTIONS**

- \* SEWER
- \* DRAIN
- \* WATER



PLAN



SECTION

NOTES :

1. ALL MEASUREMENTS ARE IN INCHES.
2. LETTERS MEASURE 2" (RAISED).