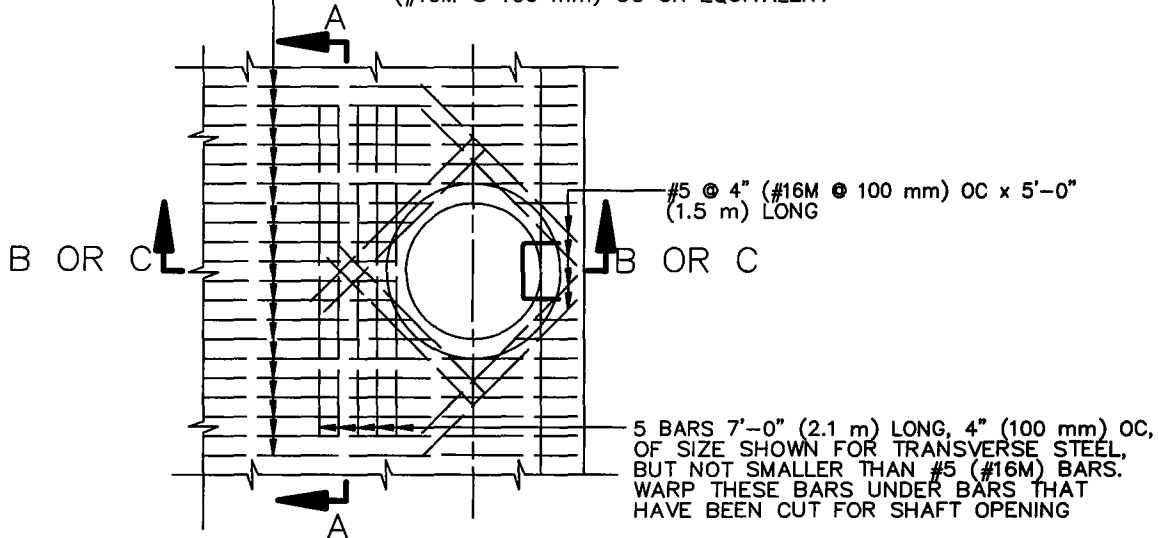
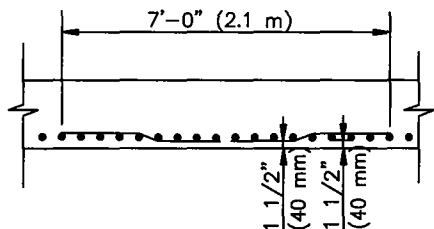


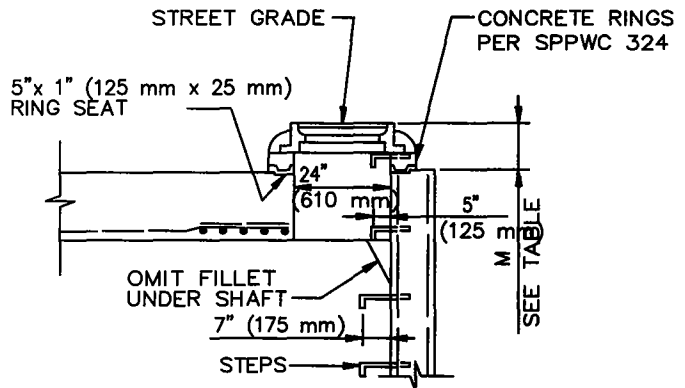
SIZE AND SPACING OF STEEL AS SHOWN ON PROJECT DRAWINGS, EXCEPT THAT 5 BARS ON EACH SIDE OF SHAFT SHALL BE NOT SMALLER THAN #5 @ 4" (#16M @ 100 mm) OC OR EQUIVALENT



PLAN
(SHAFT NOT SHOWN)

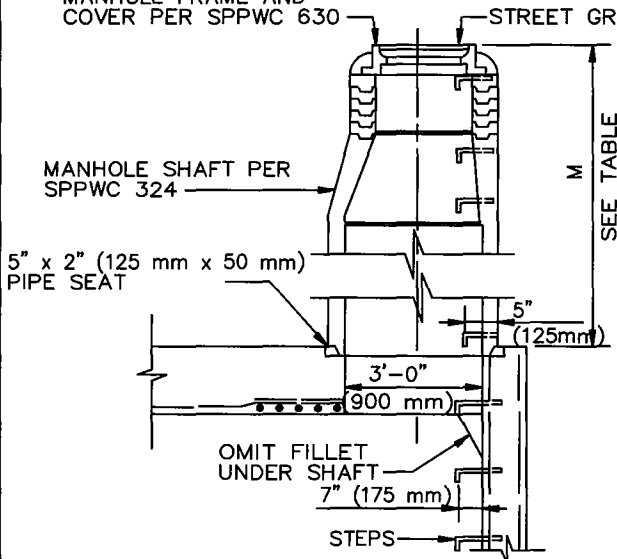


SECTION A - A



SECTION C - C
SEE NOTE 1

MANHOLE FRAME AND COVER PER SPPWC 630



SECTION B - B

TABLE OF VALUES FOR M (SEE NOTE 1)

| SECTION | PAVED STREET | | UNPAVED STREET | |
|---------|--------------|---------------------|----------------|-----------------|
| | MAX | MIN | MAX | MIN |
| B - B | - | 2'-10 1/2" (867 mm) | - | 3'-6" (1060 mm) |
| C - C | 11" (282 mm) | 8 1/2" (217 mm) | 16" (410 mm) | 15" (380 mm) |

STANDARD PLANS FOR PUBLIC WORKS CONSTRUCTION

PROMULGATED BY THE
PUBLIC WORKS STANDARDS INC.
GREENBOOK COMMITTEE
1992
REV. 1996, 2009

**MANHOLE - CONCRETE
BOX STORM DRAIN**

USE WITH STANDARD SPECIFICATIONS FOR PUBLIC WORKS CONSTRUCTION

STANDARD PLAN

323-2

SHEET 1 OF 2