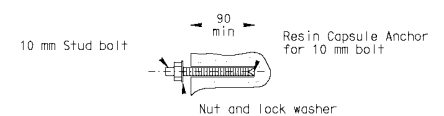
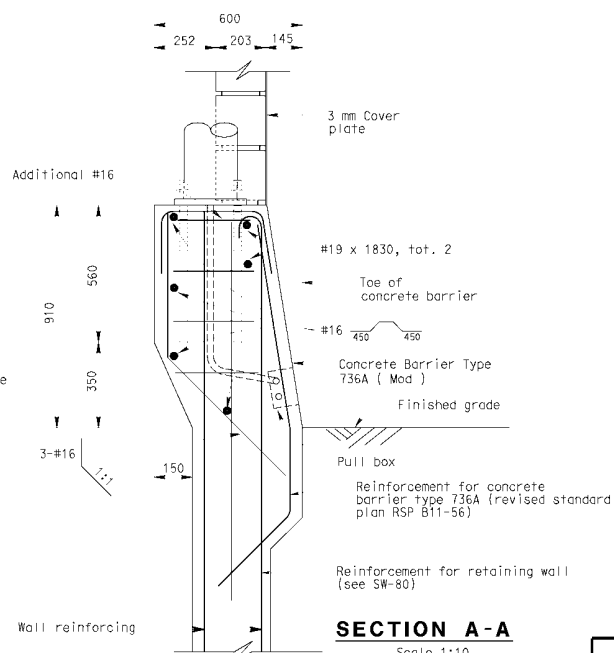
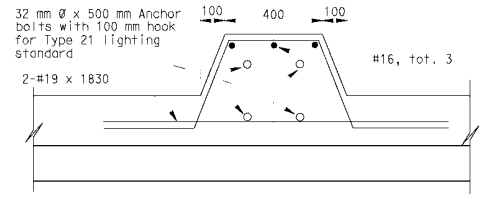
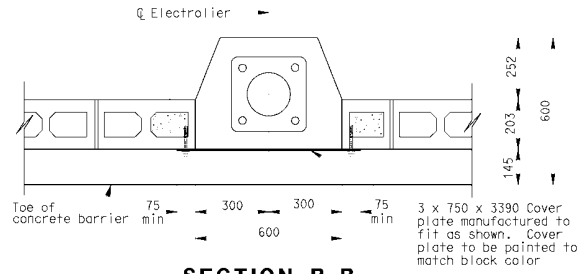
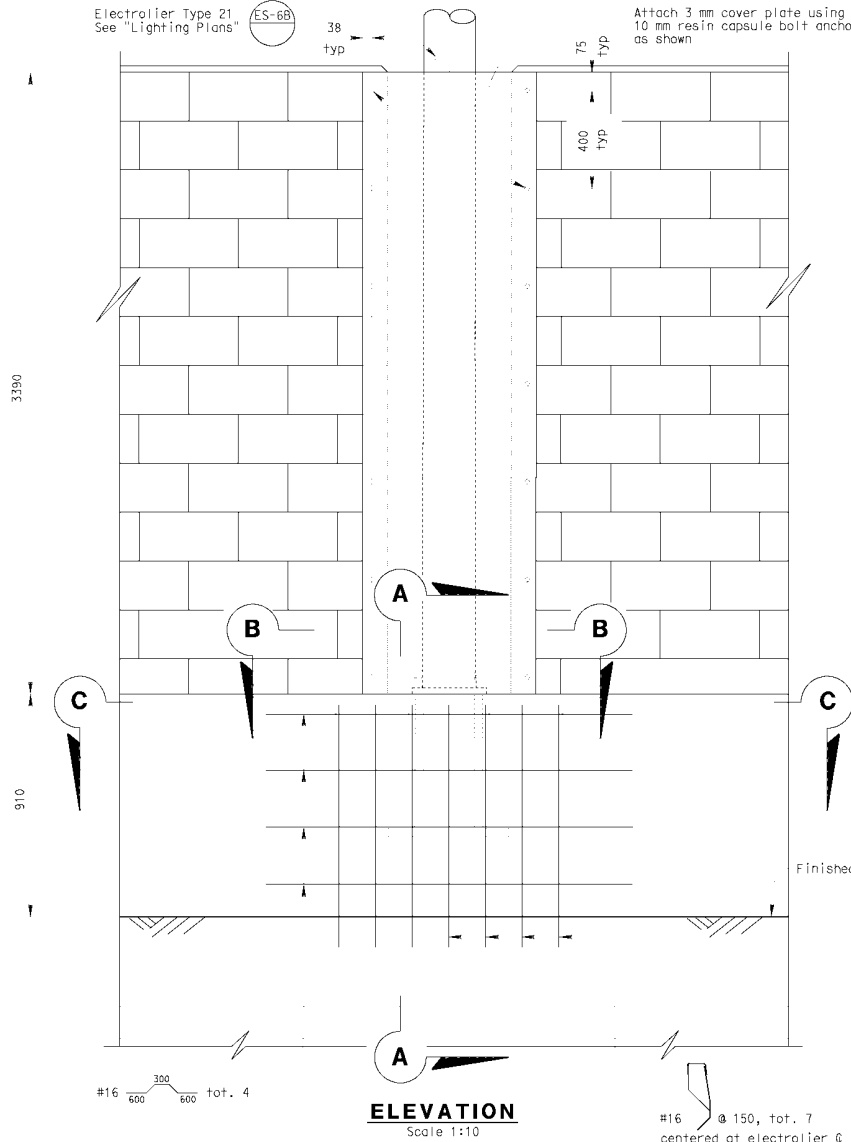


Electrolier Type 21  
See "Lighting Plans" (ES-68)

Attach 3 mm cover plate using  
10 mm resin capsule bolt anchors  
as shown



**RESIN CAPSULE BOLT ANCHORAGE**  
No Scale

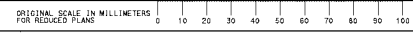
Note: Resin capsule anchorage is subject to approval of Engineer. Installation procedures shall comply with manufacturer's instructions.

ALL DIMENSIONS ARE IN MILLIMETERS UNLESS OTHERWISE SHOWN

BRIDGE NO.		<b>SW-70</b>
KILOMETER POST		
SOUND WALL (BARRIER) (MASONRY BLOCK) ON CONCRETE BARRIER 736A MOD TYPE 21 ELECTROLIER DETAILS		
DISCARD PRINTS BEARING EARLIER REVISION DATES	1/25/00	#BARRIERS_SNDWLS/TTYPE21.DGN

STANDARD DRAWING			
DESIGNER <b>XS X-XXX</b>	DRAWN BY <b>XX/XX</b>	CHECKED BY <b>N ABDIN</b>	APPROVED BY <b>V KWOK</b>
DATE <b>XX/XX</b>	PROJECT NO. <b>P C WELLS</b>	SCALE <b>N ABDIN</b>	REVISIONS

STATE OF CALIFORNIA DEPARTMENT OF TRANSPORTATION	DIVISION OF STRUCTURES STRUCTURE DESIGN
---	--



CU	EA
----	----