

**NOTES**

1. WHEN THE HEIGHT IS GREATER THAN 3'-6" STEPS SHALL BE PROVIDED PER STANDARD DETAIL 2-115.
2. THE MAXIMUM LENGTH SHALL BE 4'. SPECIAL DESIGNS WILL BE REQUIRED FOR LENGTHS GREATER THAN 4'.
3. THE SPAN SHALL BE A MINIMUM OF 3'.
4. THE OUTLET PIPE SHALL BE PLACED AT THE MIDPOINT OF THE WALL.
5. A 3" ROUNDING SHALL BE PROVIDED IF THE BELL END OF THE ACP OR RCP IS NOT USED.
6. OPTIONAL CONSTRUCTION JOINT MAY BE USED AS APPROVED BY THE DIRECTOR OF PUBLIC WORKS.
7. MANHOLE FRAME AND COVER PER STANDARD DETAIL 2-100. MAY BE ALHAMBRA FOUNDRY COMPANY A-1530 OR AN APPROVED EQUAL.
8. ALL WALL THICKNESS AND BAR REINFORCING STEEL NOTES ARE PER STANDARD DETAIL 2-055.
9. WHEN THE WINDOW HEIGHT IS GREATER THAN 6". 3/4" HORIZONTAL GALVANIZED STEEL PROTECTOR BARS SHALL BE PLACED AT INTERVALS NOT TO EXCEED 6".
10. THE MINIMUM OFFSET SHALL BE 3'.

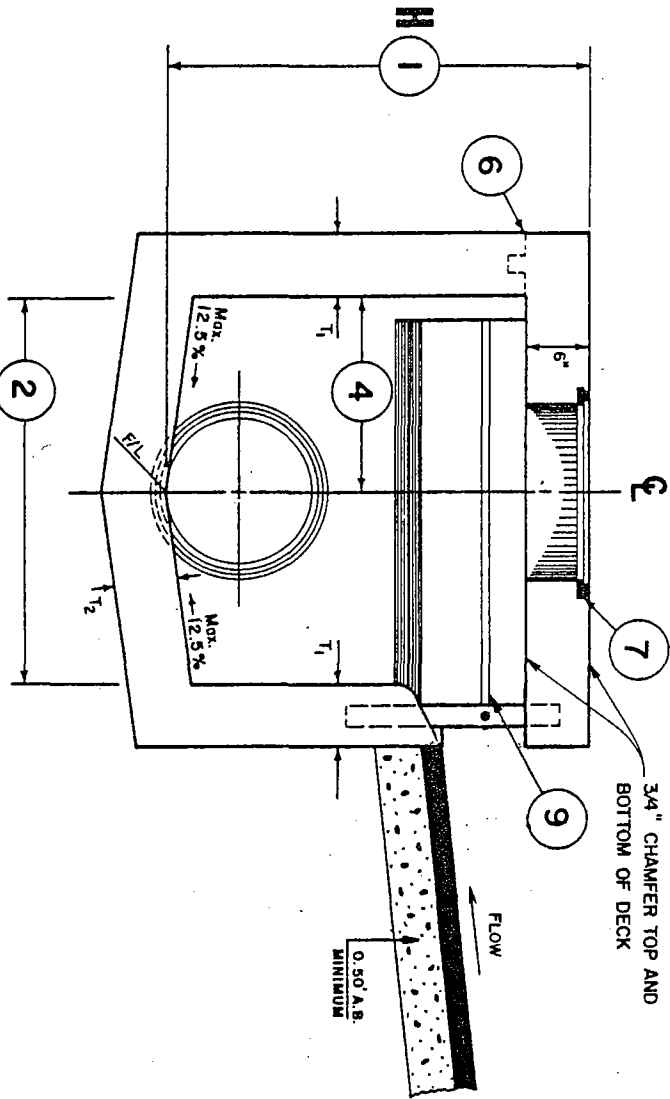
COUNTY OF SANTA BARBARA, CA. - DEPARTMENT OF PUBLIC WORKS - ROADS DIV.

Approved by \_\_\_\_\_ DATE \_\_\_\_\_

2-060

TYPE C DROP INLET

*Charles F. Jaeger* 4/1/87  
DIRECTOR OF PUBLIC WORKS DATE



Section B-B

COUNTY OF SANTA BARBARA, CA. - DEPARTMENT OF PUBLIC WORKS - ROADS DIV.

Approved by

2-060

TYPE C DROP INLET

*Charles Wagner* 4/1/87

DIRECTOR OF PUBLIC WORKS DATE