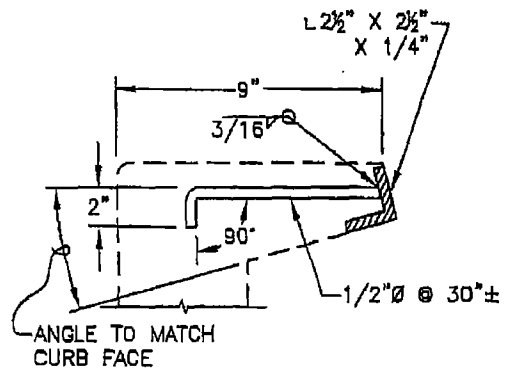
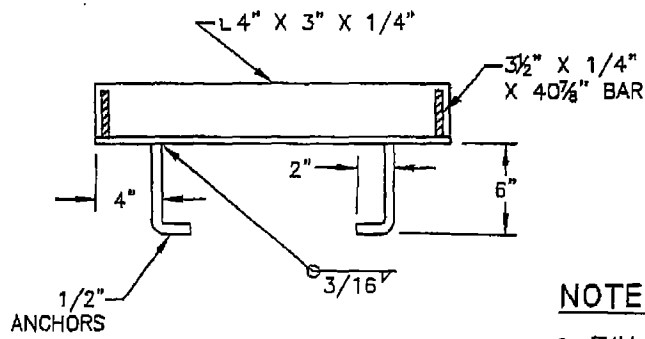


GRATE FRAME



FACE ANGLE ANCHOR DETAIL



SECTION A-A

NOTES:

1. FULL PENETRATION BUTT WELDS MAY BE SUBSTITUTED FOR FILLET WELDS ON ANCHORS.
2. ALL FRAMES SHALL BE GALVANIZED IN ACCORDANCE WITH SECTION 75-1.05 OF THE STANDARD SPECIFICATIONS.

REVISION	BY	DATE	APP. BY COUNCIL

CITY OF CHICO		STANDARD PLAN	
DRAWN BY: <u>GL</u>	DATE: <u>1/05</u>	GRATE FRAME & FACE ANGLE ANCHOR DETAILS (CAL TRANS STANDARD D-77-A & D-77-B)	NO. S-7 SHEET 4 OF 4
CHECKED BY: <u>M</u>	SCALE: <u>NONE</u>		
APPROVED: <u>[Signature]</u> DIRECTOR OF ENGINEERING			