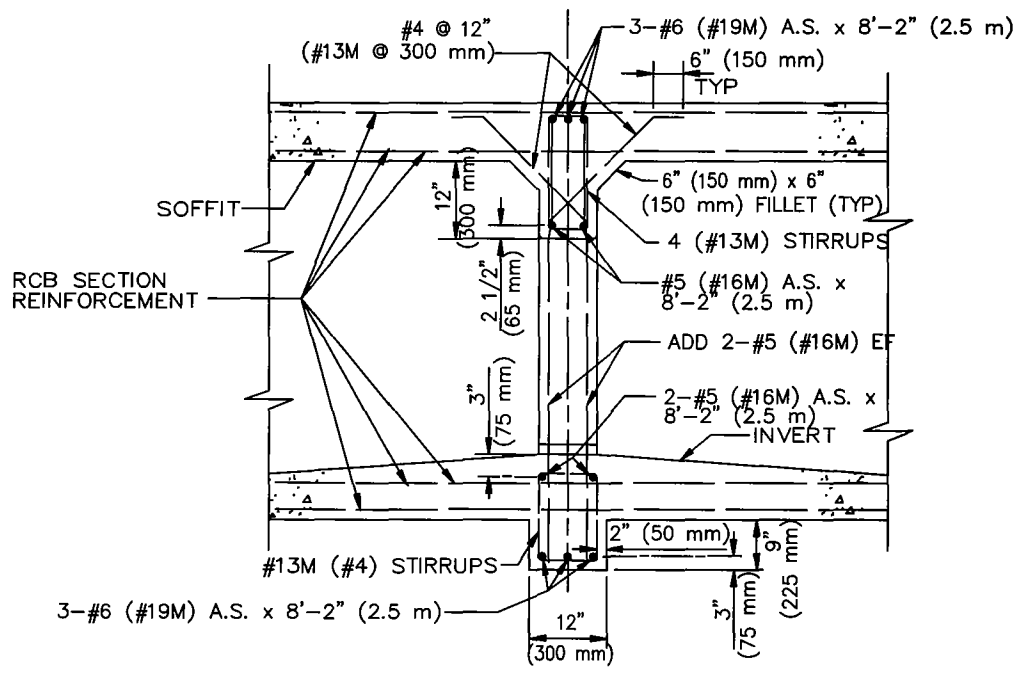


ELEVATION



SECTION A-A

STANDARD PLANS FOR PUBLIC WORKS CONSTRUCTION

PROMULGATED BY THE  
PUBLIC WORKS STANDARDS INC.  
GREENBOOK COMMITTEE  
1984  
REV. 1996, 2009

WINDOW DETAILS FOR  
MULTIPLE RCB STRUCTURES

USE WITH STANDARD SPECIFICATIONS FOR PUBLIC WORKS CONSTRUCTION

STANDARD PLAN

382-2

SHEET 1 OF 2

NOTES

1. THIS STRUCTURE MAY BE USED WHERE:
  - a. DEPTH OF COVER DOES NOT EXCEED 10' (3.0 m).
  - b. CLEAR SPAN OF ONE BARREL DOES NOT EXCEED 12' (3.6 m).  
WHEN THESE LIMITS ARE EXCEEDED, WINDOW OPENING DETAILS SHALL BE AS SHOWN ON PLANS.
2. LONGITUDINAL BARS SHALL BE CUT IN THE FIELD 2" (50 mm) FROM OPENING.
3. ROUND ALL EDGES TO 2" (50 mm) RADIUS.
4. NO TRANSVERSE CONSTRUCTION JOINT SHALL BE PLACED WITHIN 5'-0" (1.5 m) OF WINDOW.

STANDARD PLANS FOR PUBLIC WORKS CONSTRUCTION

**WINDOW DETAILS FOR  
MULTIPLE RCB STRUCTURES**

STANDARD PLAN

**382-2**

SHEET 2 OF 2