



LBIW Inc.

2020 WEST 14TH STREET
LONG BEACH, CA. 90813
Tel No. : (562) 432.5451
Fax No. : (562) 435.5929
www.lbiw.com

PRODUCT NUMBER

DECK DRAIN TYPE D-3

SPECIFICATIONS

MATERIAL : ASTM A36
COATING : ASTM A123

MADE IN USA

EST. WEIGHT

126 LBS

STANDARD PLAN REFERENCE

* CALTRANS B7-7

DRAWN

DATE

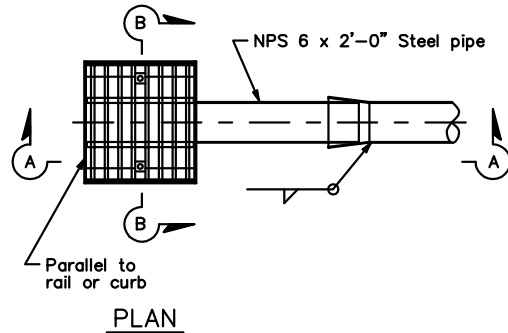
02-24-09

REVISED

06-18-09

REFERENCE INFORMATION

SECTION 08

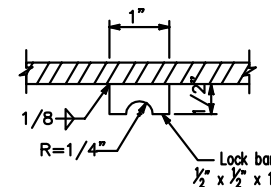
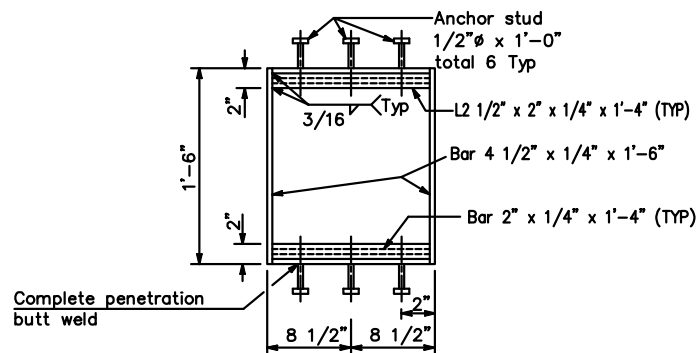
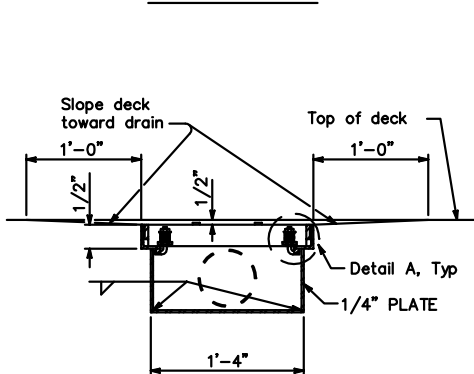
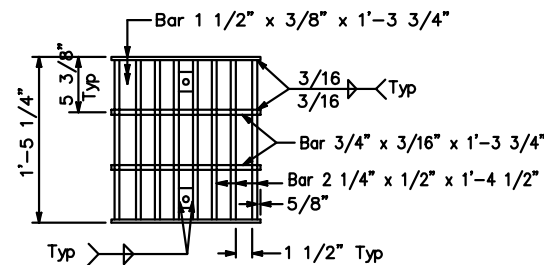
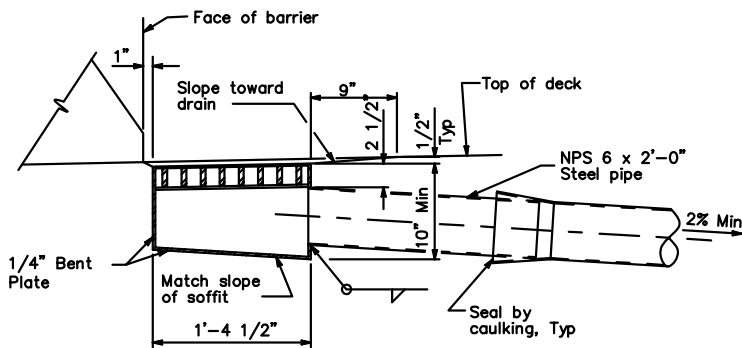
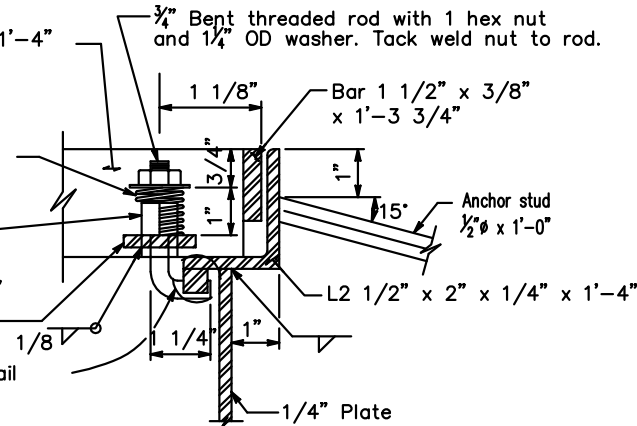


1" OD Spring 0.094" W & M gage stainless steel, 2" free length. Spring constant of 24 LBS/inch. Spring to have flat ground ends.

Bar 2 1/4" x 1/2" x 1'-4"

Bar 1 1/2" x 1/4" x 1 1/2" with 13/16" hole

See Lock Bar detail



DECK DRAIN - TYPE D-3 DETAIL 7-7