
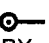
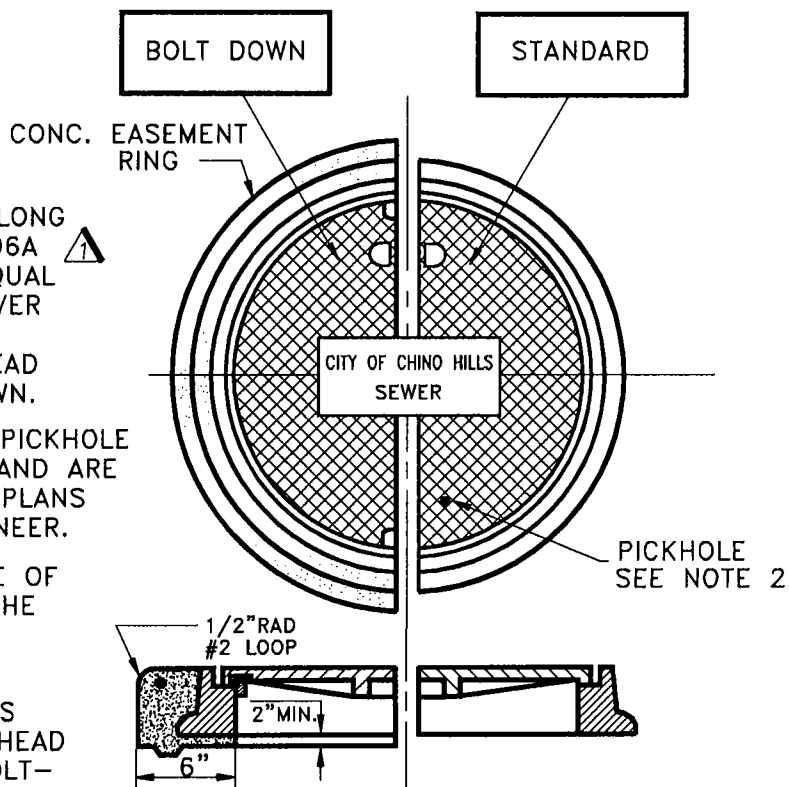
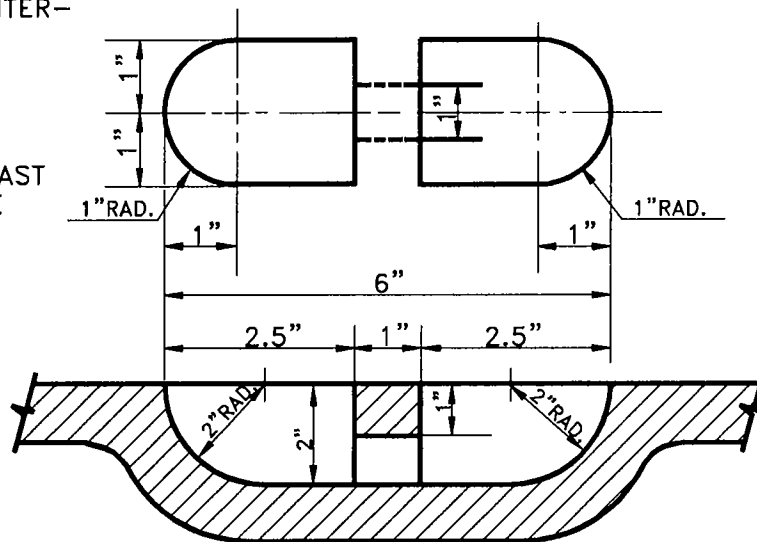


NOTES:

1. FRAME AND COVER SHALL BE LONG BEACH IRON WORKS INC. X-106A  AND X-103A OR APPROVED EQUAL WITH LIFTING DEVICE CAST COVER AS PER DETAIL SHOWN BELOW. COVER SHALL BE DIAMOND TREAD WITH NAME LETTERED AS SHOWN.
2. BOLT-DOWN COVERS WITHOUT PICKHOLE ARE REQUIRED IN EASEMENTS AND ARE DENOTED THUS  ON THE PLANS OR AS DIRECTED BY THE ENGINEER.
3. THE CONTRACTOR, AT THE TIME OF COMPLETION, SHALL FURNISH THE CITY WITH A "HOOK" LIFTING TOOL AS APPROVED BY CITY.
4. TWO ONE-HALF INCH STAINLESS STEEL OR MONEL STEEL HEX. HEAD BOLTS REQUIRED FOR EACH BOLT-DOWN COVER. BOLT HOLES SHALL BE DRILLED COMPLETELY THROUGH THE FRAME AND SHALL BE AMERICAN NATIONAL COURSE THREAD. COVER SHALL BE COUNTER-BORED TO ALLOW BOLTS TO FINISH FLUSH WITH TOP OF COVER.
5. FRAME OF EASEMENT MANHOLES (BOLT DOWN TYPE) SHALL BE CAST IN CONCRETE PER DETAIL ABOVE AT PLANT.



FRAME AND COVER DETAIL



LIFTING RECEPTACLE DETAIL

AUGUST 2005

CITY OF CHINO HILLS			
Revised: / /	by:	Approved by:	
Revised: / /	by:		
Revised: / /	by:	CITY ENGINEER	

**MANHOLE FRAME AND COVER**

**S-7**