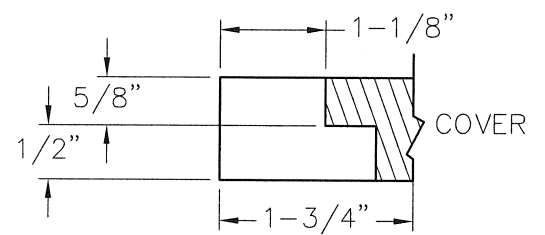
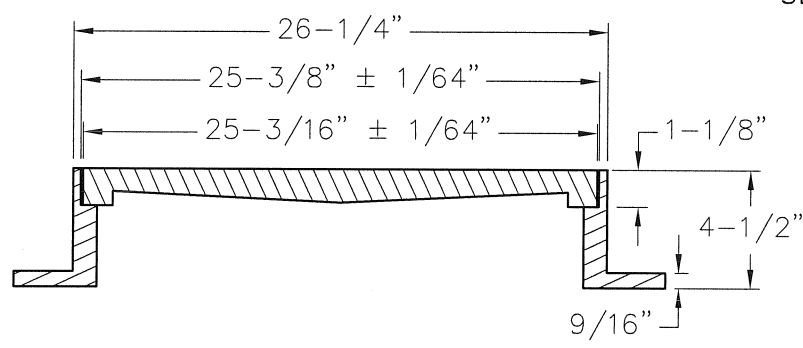


SEATING SURFACES SHALL BE CLOSELY MACHINED TO THE DIMENSIONS SHOWN. TOLERANCES ON MACHINED SURFACES SHALL NOT EXCEED 1/64".



PICK HOLE SECTION THROUGH CENTER OF HOLE




ITEM APPROX. WT. (lbs.)

ASSY.	270 ± 15
FRAME	140 ± 10
COVER	130 ± 5

**NOTE:**

1. COUNTRY OF ORIGIN SHALL BE CLEARLY AND PERMANENTLY SHOWN ON TOP SURFACE OF FRAME AND COVER IN ACCORDANCE WITH THE TRADE AND TARIFF ACT OF 1984.
2. DATE OF MANUFACTURE SHALL BE CLEARLY AND PERMANENTLY INDICATED ON THE COVER AND TOP OF THE FRAME.

YUBA COUNTY DEPARTMENT OF PUBLIC WORKS	
FRAME AND COVER	
APPROVED BY: 	8-24-06 DATE:
407	