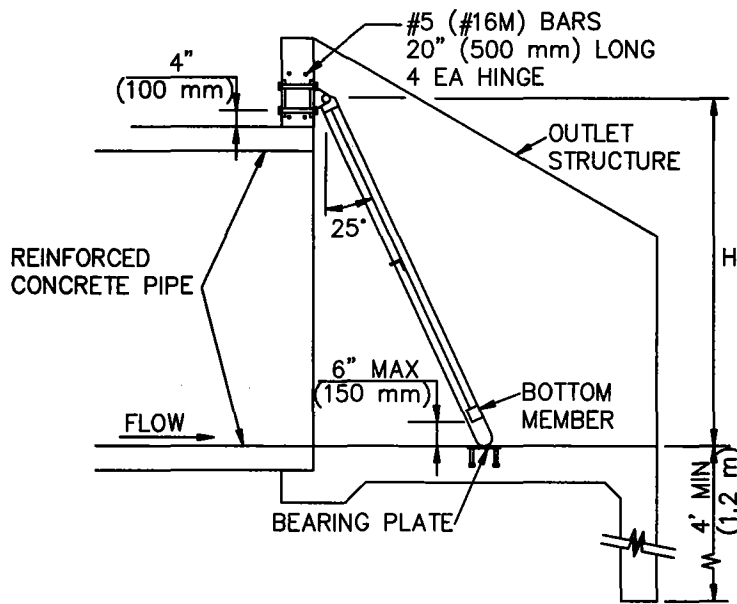


**TRAPEZOIDAL OUTLET BARRIER
FOR RCP**

FOR TRAPEZOIDAL OUTLET BARRIERS, USE W_H TO DETERMINE NUMBER AND SIZE OF HINGES AND USE W_F TO DETERMINE REQUIRED FRAME MEMBER SIZES.



SECTION B-B