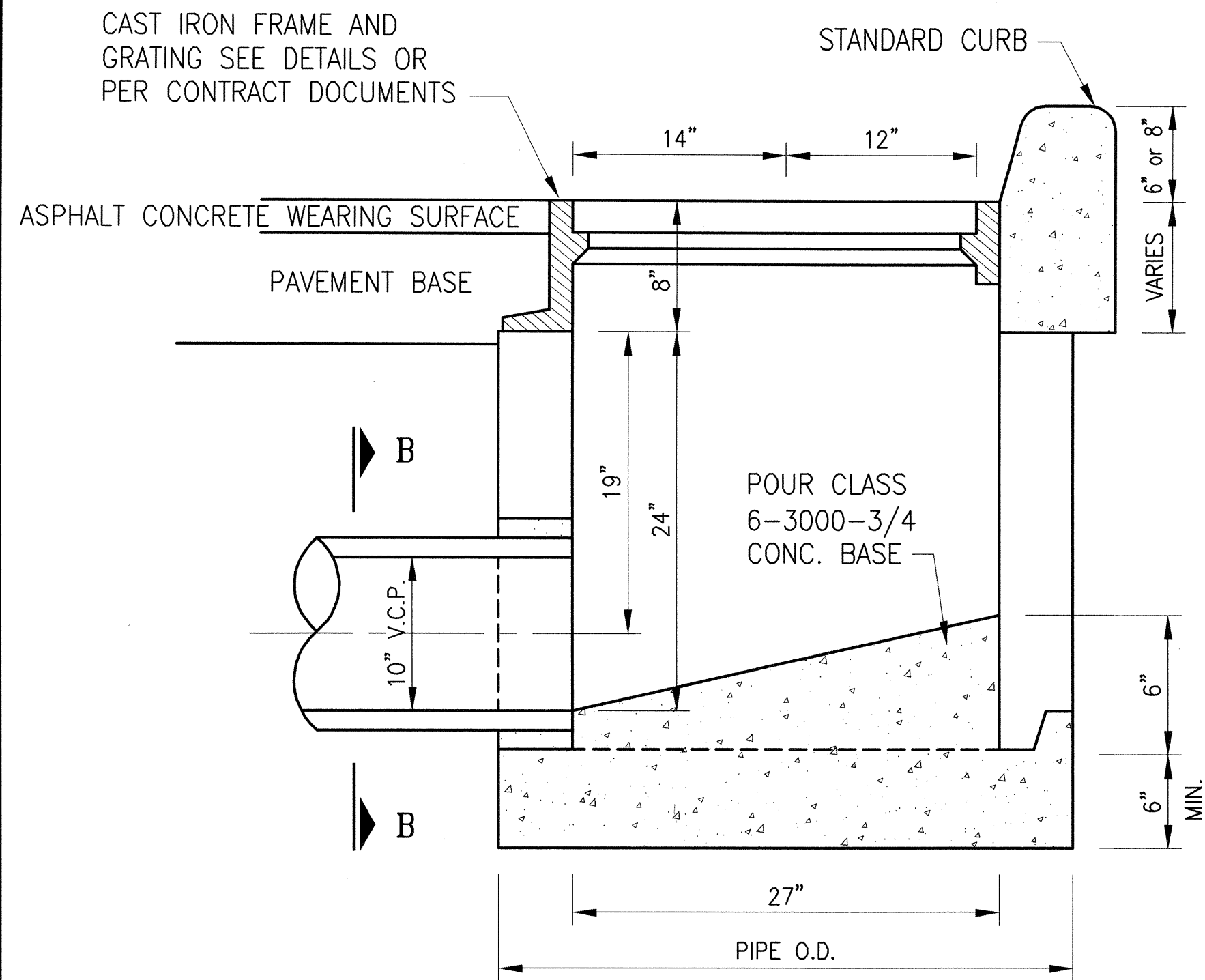


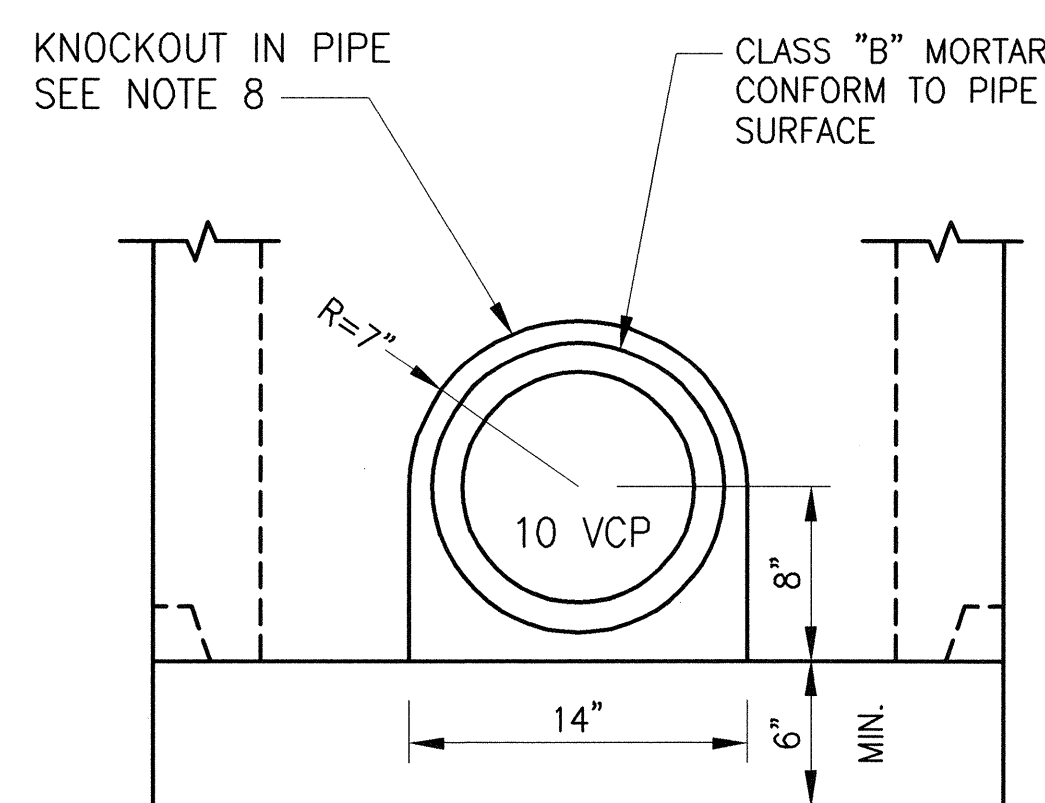
This Standard Plan was developed for use on public works projects in the City and County of San Francisco, and shall not be used without consulting a Registered Professional Engineer. The Department of Public Works reserves the right to make revisions to this Standard Plan at any time.

GENERAL NOTES

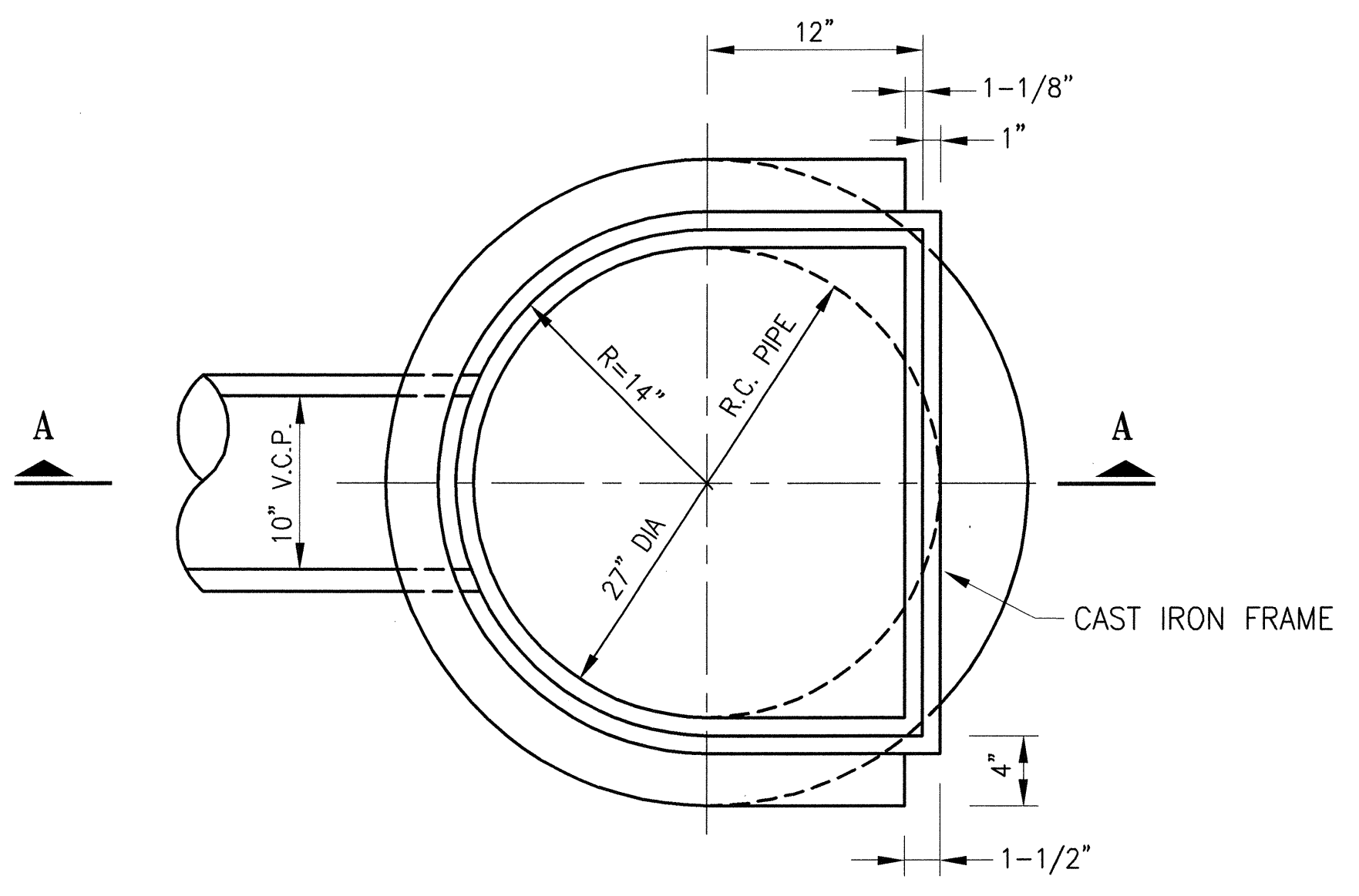
1. CAST IRON SHALL BE IN ACCORDANCE WITH THE CURRENT A.S.T.M. STANDARD SPECIFICATIONS FOR GRAY-IRON CASTINGS (CL 30). DESIGNATION A-48.
2. PRECAST REINFORCED CONCRETE PIPE SHALL BE IN ACCORDANCE WITH THE CURRENT A.S.T.M. STANDARD SPECIFICATIONS FOR REINFORCED CONCRETE CULVERT STORM DRAIN AND SEWER PIPE, DESIGNATION C-76.
3. COMPUTED WEIGHT OF FRAME - 260 POUNDS.
4. COMPUTED WEIGHT OF GRATING - 250 POUNDS.
5. THE NAME OF THE FOUNDRY, THE YEAR OF MANUFACTURE AND THE PATTERN NUMBER SHALL BE CAST ON THE UNDERSIDE OF EACH CASTING IN 3/4" LETTERS RAISED 1/8".
6. THE WORD "SAN FRANCISCO" SHALL BE CAST AS INDICATED ON THE TOP OF THE GRATING IN 3/4" LETTERS RAISED 1/8".
7. FINISH: GRIND HIGH SPOTS FROM CONTACT SURFACES TO OBTAIN BEARING OF GRATING ON FRAME.
8. PIPE BARREL MAY BE PROVIDED WITH A KNOCKOUT AS SHOWN OR THE CULVERT CONNECTION MAY BE MADE BY CHIPPING OUT IN ACCORDANCE WITH SF PUC. STANDARD SPECIFICATIONS.
9. OUTLET PIPE MAY BE POINTED IN ANY DIRECTION.



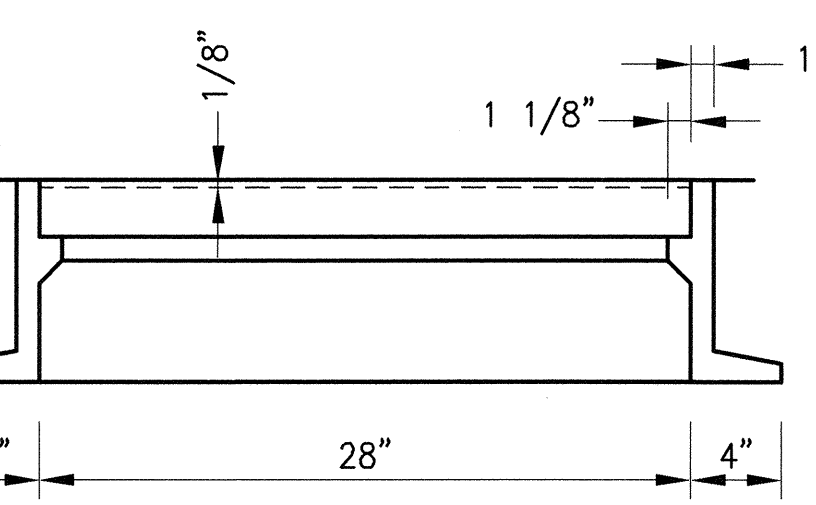
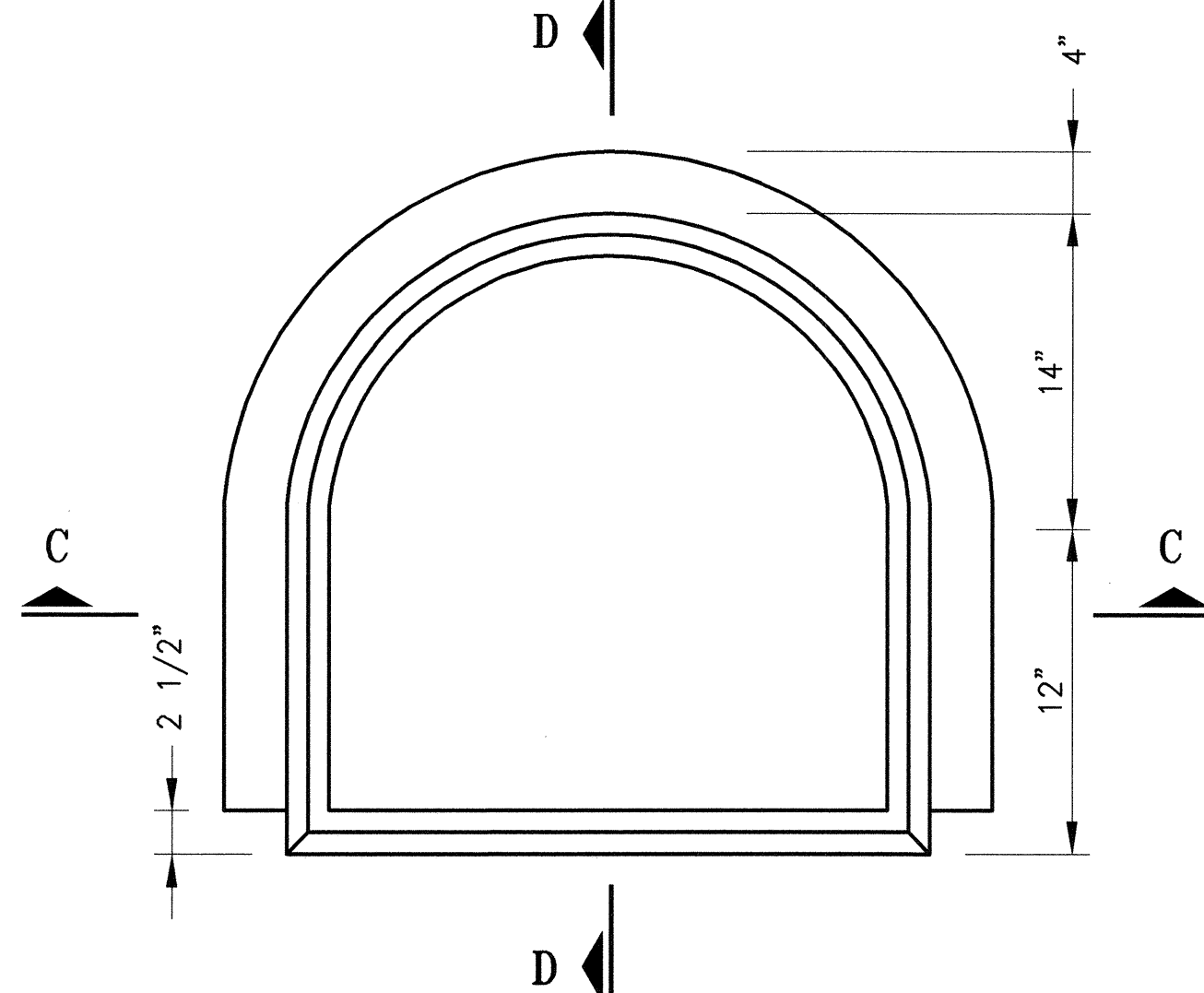
SECTION A-A



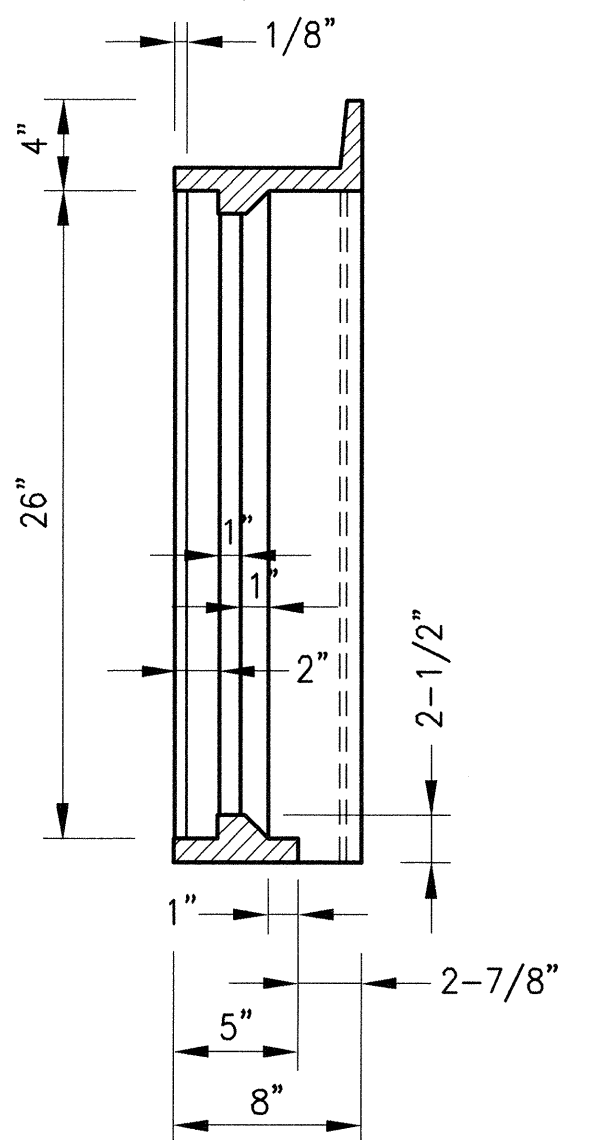
SECTION B-B



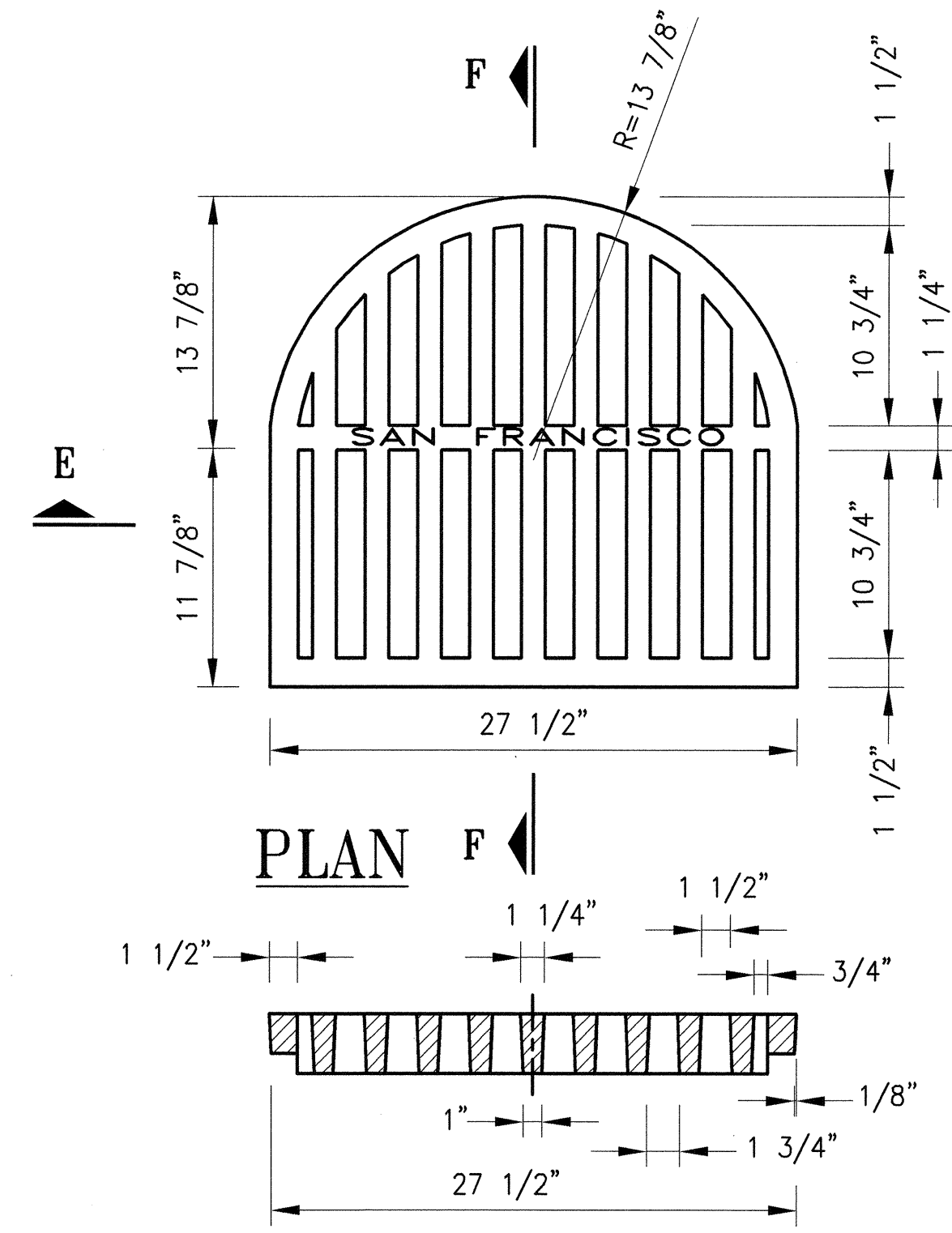
PLAN
STORM WATER INLET



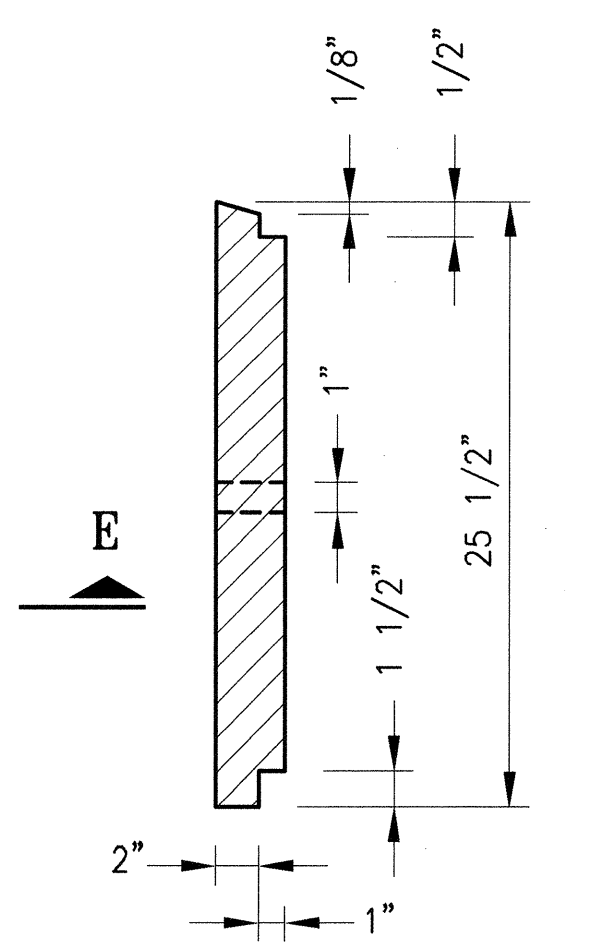
SECTION C-C
SECTION D-D
CAST IRON FRAME



SECTION D-D



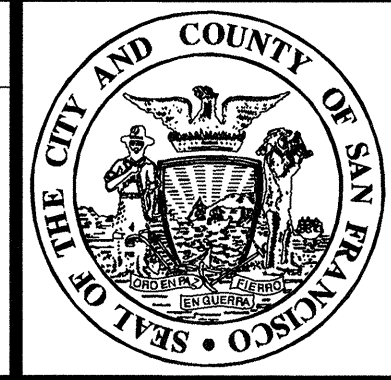
PLAN F
SECTION E-E
CAST IRON GRATING



SECTION F-F

NO.	DATE	DESCRIPTION	BY	APP.
TABLE OF REVISIONS				
CHECK WITH TRACING TO SEE IF YOU HAVE LATEST REVISION				

REFERENCE INFORMATION & FILE NO. OF SURVEYS



BUREAU OF ENGINEERING
DEPARTMENT OF PUBLIC WORKS
CITY AND COUNTY OF SAN FRANCISCO

REVIEWED: DATE: 12/2006	PLANS APPROVAL DATE: APRIL 30, 2007
DRAWN: DATE: 07/2003	SECTION MANAGER: <i>[Signature]</i> 4/30/07
CHECKED: DATE: 12/2006	DEPUTY BUREAU MANAGER: <i>[Signature]</i> 4/30/07
	BUREAU MANAGER: <i>[Signature]</i>

STANDARD PLAN	OLD FILE NO.
HYDRAULICS	A-33,585 CH 2
STORM WATER INLET	FILE NO.
	87,189
	REV. NO.

Drawing Path: V:\0966\Standard Plans & Specs\Update2_Plan\SP-87189.dwg, Login: carantos
 Model Units: Feet
 Dimension Scale: 1
 Plot Time: Fri, 27 Apr 2007 - 7:40pm