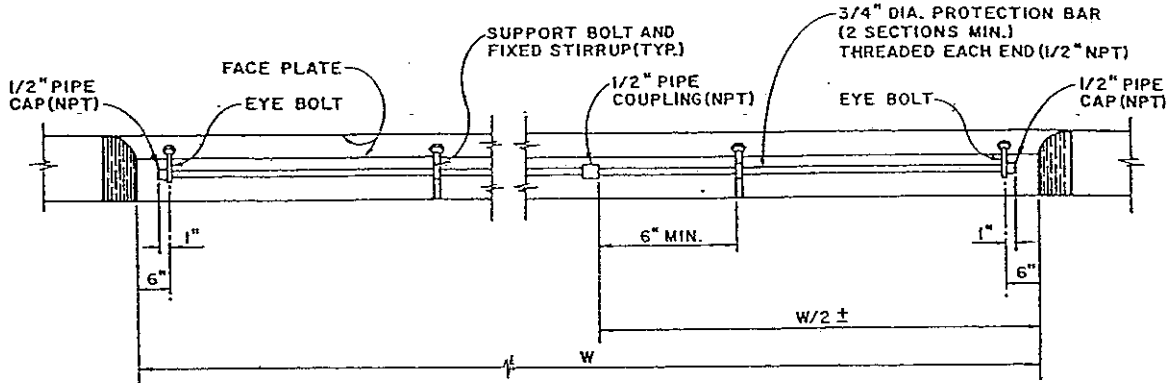
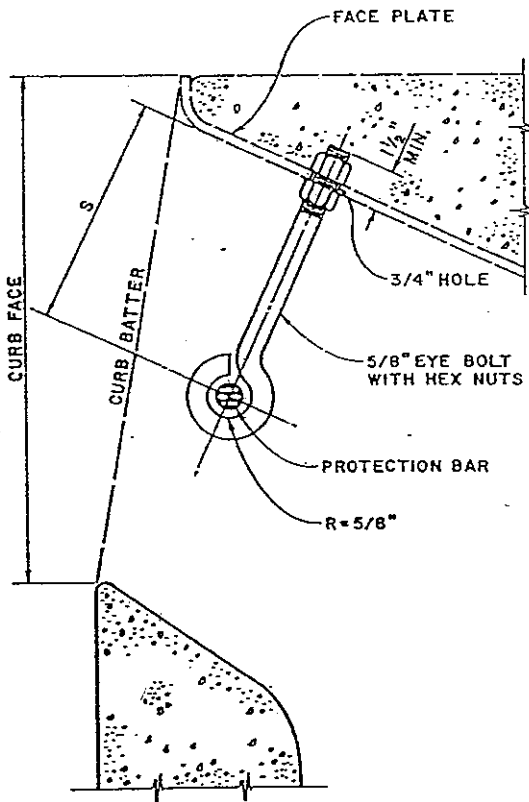


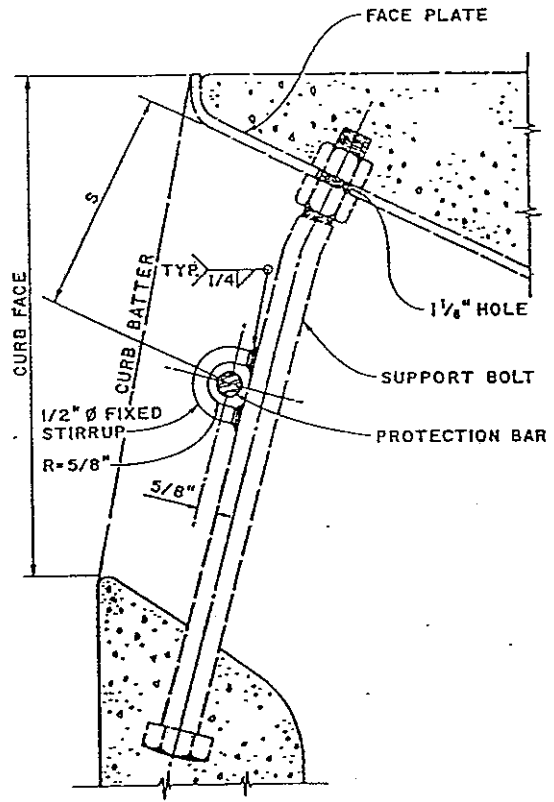
# PROTECTION BAR AND SUPPORT BOLT(S) WITH FIXED STIRRUP(S) — (TYPE B)



ELEVATION



EYE BOLT DETAIL



STIRRUP DETAIL


ADOPTED FROM AMERICAN PUBLIC WORKS ASSOCIATION STANDARD PLAN 310-0

**CITY OF NEWPORT BEACH**  
PUBLIC WORKS DEPARTMENT

CATCH BASIN PROTECTION BAR  
WITH FIXED STIRRUP(S)

DRAWN F.T. DATE 1/15/91

APPROVED

  
PUBLIC WORKS DIRECTOR  
R.E. NO. 3606

DRAWING NO. STD-316-L-E