

**EJIW EAST JORDAN**  
IRON WORKS EST.1883

800-626-4653  
www.ejiw.com  
MADE IN USA

PRODUCT NUMBER

**00362910**

CATALOG NUMBER

**3629Z**

**FRAME**

LOAD RATING

**HEAVY DUTY**

COATING

**DIPPED**

ESTIMATED WEIGHT

FRAME: 27 LBS

MATERIAL SPECIFICATION

GRAY IRON  
ASTM A48 CL35B

OPEN AREA  
N/A

✓ DESIGNATES  
MACHINED SURFACE

DRAWN  
DEW

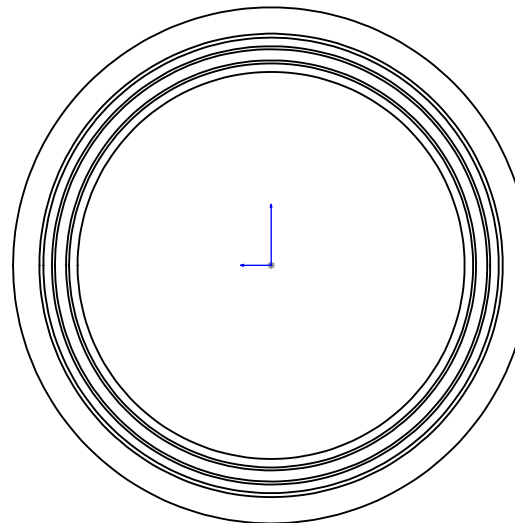
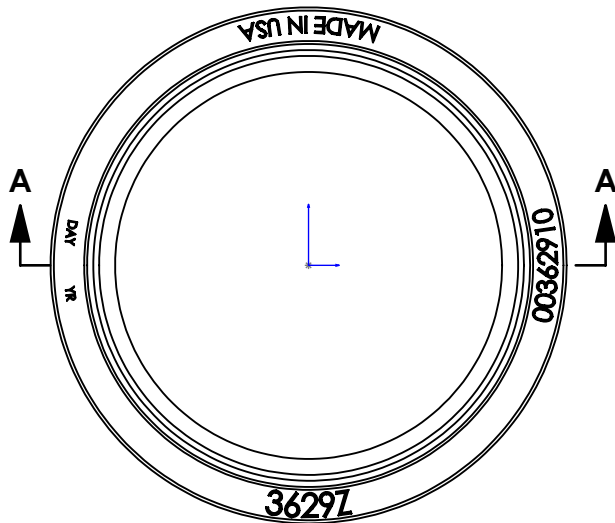
DATE  
3/24/2008

LAST REVISED  
KKP

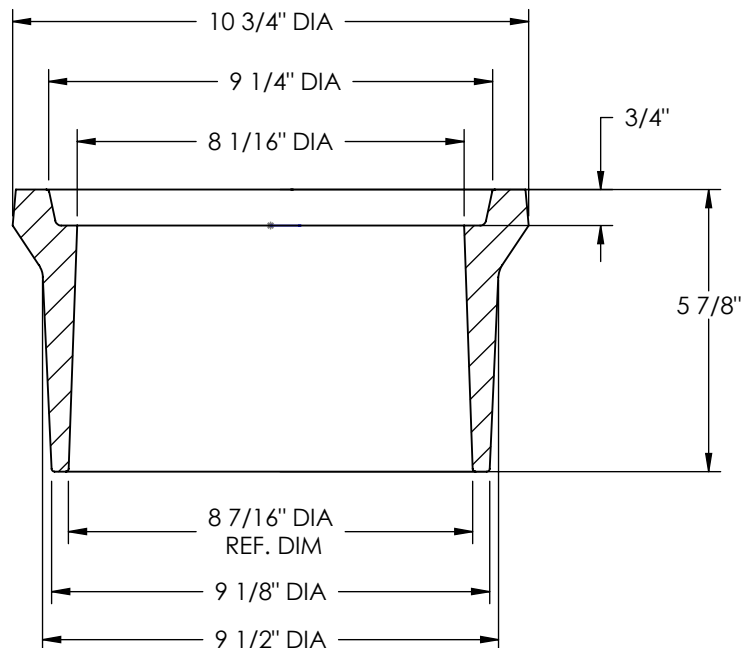
DATE  
3/26/2008

REFERENCE INFORMATION

**00362910**



**BOTTOM VIEW**



**SECTION A-A**

**CONFIDENTIAL:** This drawing is the property of East Jordan Iron Works, Inc. and embodies confidential information, trade secret information, and/or know how that is the property of East Jordan Iron Works, Inc. © Copyright 2008 East Jordan Iron Works, Inc.