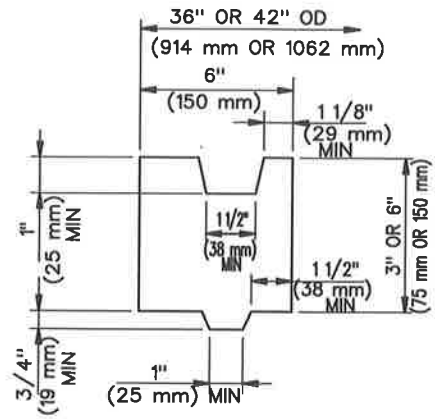
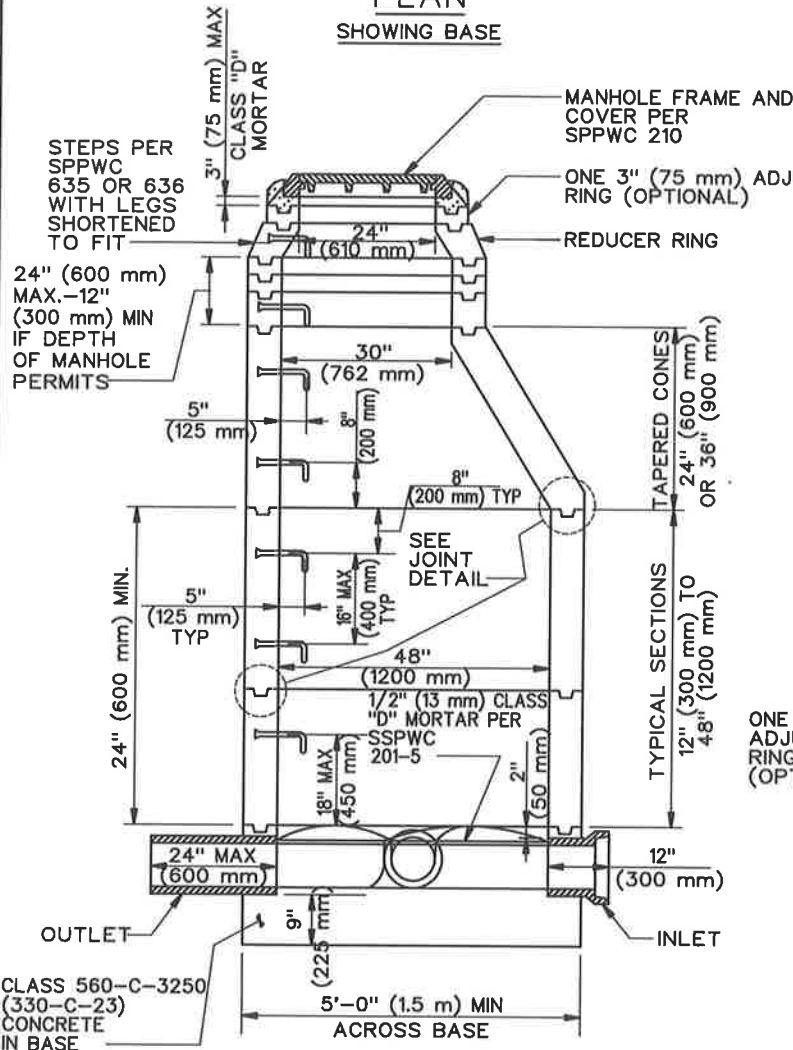


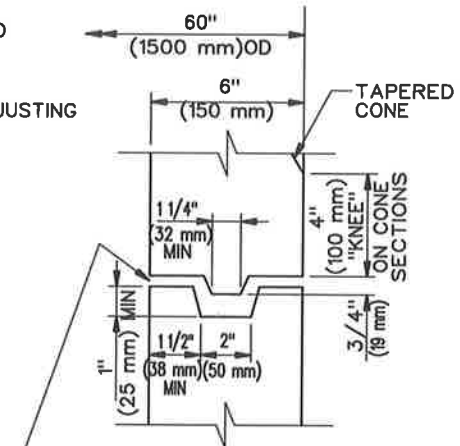
**PLAN**  
SHOWING BASE



**ADJUSTING RING DETAIL**

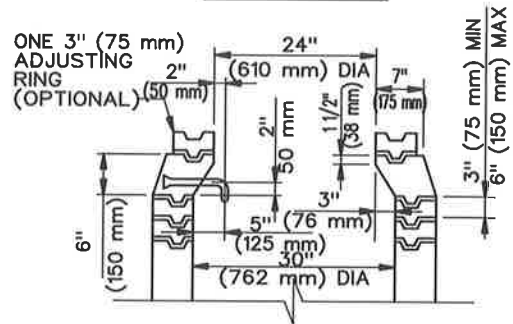


**SECTION A-A**



MORTAR NOT MORE THAN 3/8" (10 mm) THICK OR APPROVED JOINT SEALING COMPOUND

**JOINT DETAIL**  
NON-REINFORCED



**REDUCER RING AND ADJUSTING RINGS**

STANDARD PLANS FOR PUBLIC WORKS CONSTRUCTION

PROMULGATED BY THE  
PUBLIC WORKS STANDARDS INC.  
GREENBOOK COMMITTEE  
1984  
REV. 1993, 1995, 2009, 2021

**PRECAST CONCRETE  
SEWER MANHOLE**

STANDARD PLAN

**200-4**

USE WITH STANDARD SPECIFICATIONS FOR PUBLIC WORKS CONSTRUCTION

SHEET 1 OF 2