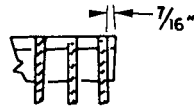
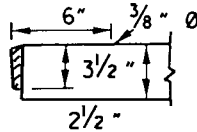


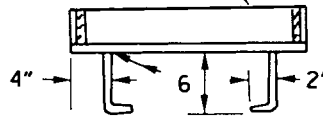
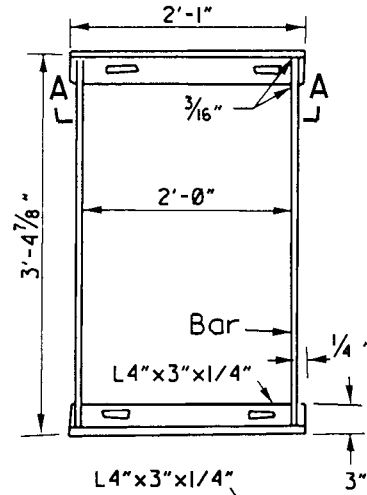
NOTE:

Bearing bars to be
 3 1/2 "x1/4" bars on 1 7/8 " centers.
 3/8 " Ø Cross bars resistance welded or electroforged to bearing bars
 Weight of Grate 141 lbs
 Use Typical Frame as shown

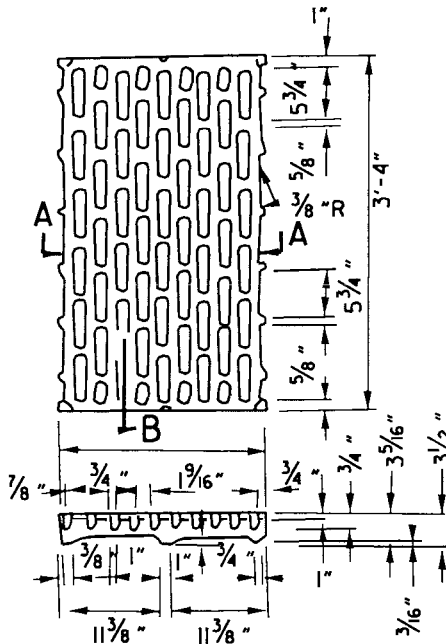
3/16 fillet weld full depth each side all bars



SECTION A-A SECTION B-B
WELDED STEEL GRATE

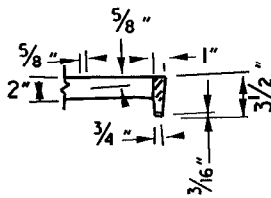


SECTION A-A
TYPICAL FRAME



NOTE:

Weight of Grate 155 lbs.
 Use Typical Frame as shown



SECTION A-A SECTION B

CAST NODULAR IRON GRATE

GRATE & FRAME DETAILS
 (See Sheet 3 for Locking Device)

ORANGE COUNTY RESOURCES & DEVELOPMENT MANAGEMENT DEPARTMENT

Approved

H. I. Nakasone
 H. I. Nakasone, Chief Engineer

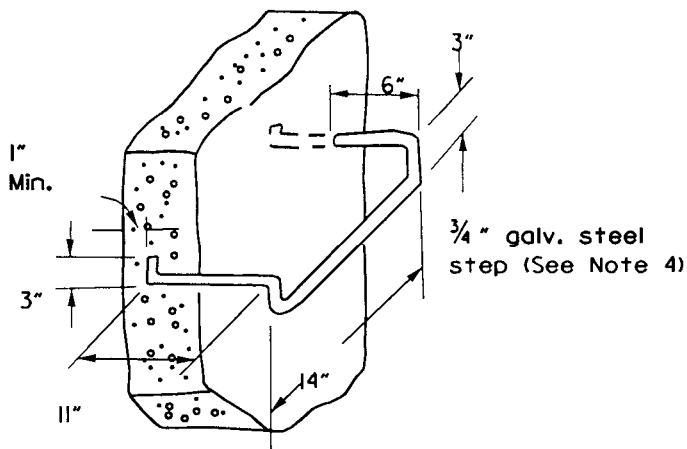
Adopted: Res. 77-92 Revised: Res. 82-718; 06-010

STD. PLAN

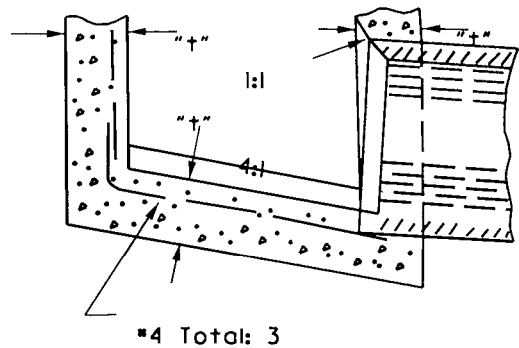
1307

MISCELLANEOUS INLET DETAILS AND NOTES

SHT. 1 OF 3



STEP DETAIL



ALTERNATE REINFORCED FLOOR
(See Note 7)

NOTES:

1. Grate and frame shall be galvanized. See Standard Specifications or Special Provisions.
2. For "t" wall thickness see Table on Inlet Plan.
3. Reinforcing steel shall be #4 bars at 18" centers placed 1/2" clear to inside of box unless otherwise shown.
4. Steps - None required where "H" is 3'-6" or less. Install one step 16" above floor when "H" is more than 3'-6" and less than 5'-0" Where "H" is more than 5'-0", steps shall be evenly spaced at 16" intervals from 16" above floor to within 12" of the top of the box. Place steps in wall without pipe openings.
5. Pipe(s) can be placed in any wall.
6. Except for inlets used as junction boxes, basin floors shall have a minimum slope of 12:3 from all directions toward outlet pipe and shall have a wood trowel finish
7. Alternate reinforced floor at the option of the contractor.

ORANGE COUNTY RESOURCES & DEVELOPMENT MANAGEMENT DEPARTMENT

Approved

H. I. Nakasone
H. I. Nakasone, Chief Engineer

Adopted: Res. 77-92

Revised: Res. 82-718; 06-010

STD. PLAN

1307

SHT. 2 OF 3

MISCELLANEOUS INLET DETAILS AND NOTES

1307

Adopted: Res. 77-92 Revised: Res. 82-718; 06-010

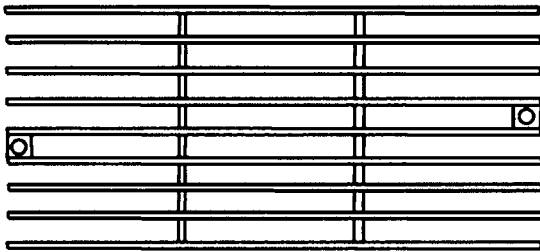
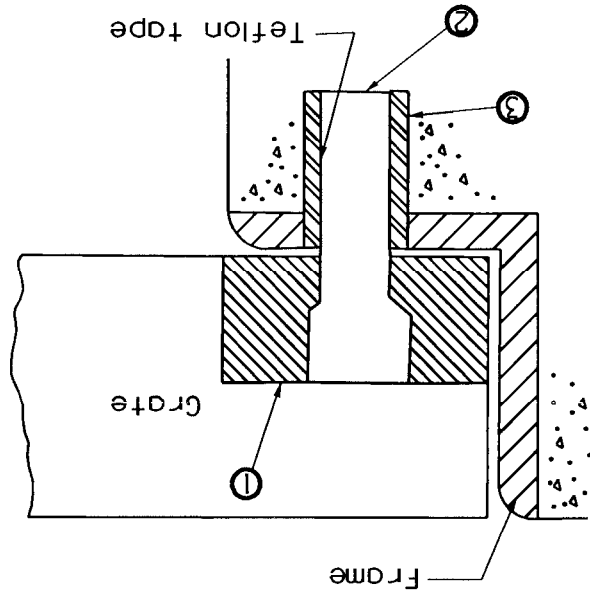
H. I. Nakosone, Chief Engineer

Approved

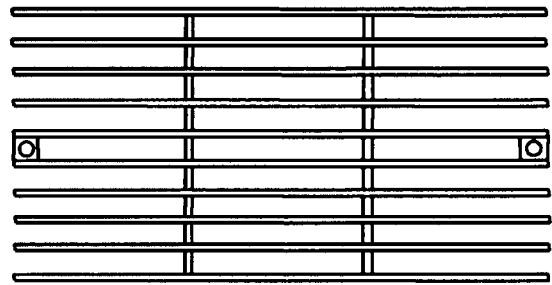
STD. PLAN

ORANGE COUNTY RESOURCES & DEVELOPMENT MANAGEMENT DEPARTMENT

GRATE HOLD-DOWN



If there are an odd number of bars in the grate, install the hold-downs on opposite sides of the center bar.



If there are an even number of bars in the grate, install the hold-downs in the center space.

NOTES:

1. Use $\frac{3}{4}$ " thick steel bar. Drill $\frac{1}{2}$ " hole & countersink with $\frac{3}{4}$ " drill $\frac{3}{8}$ " deep. Weld to grate. Paint to prevent rust.
2. $\frac{1}{2}$ " dia. Allen bolt.
3. Use $\frac{1}{2}$ " concrete anchor or $\frac{1}{2}$ " threaded receiver welded to frame.