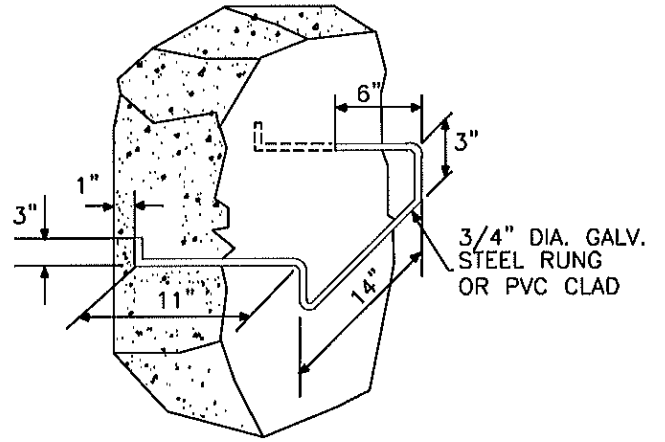


PLAN

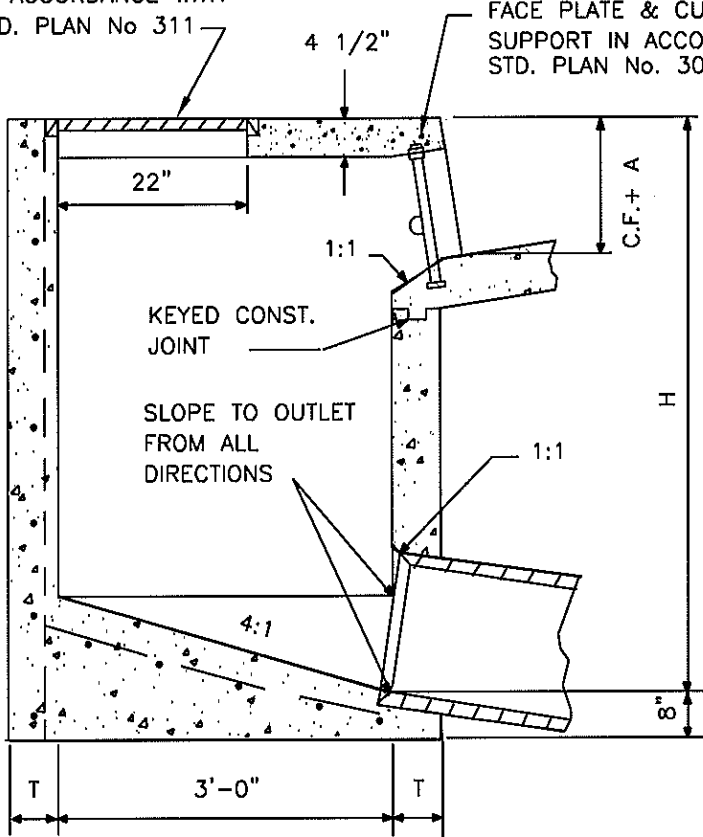
W = GREATER THAN 3'-6" TO 28'-0"



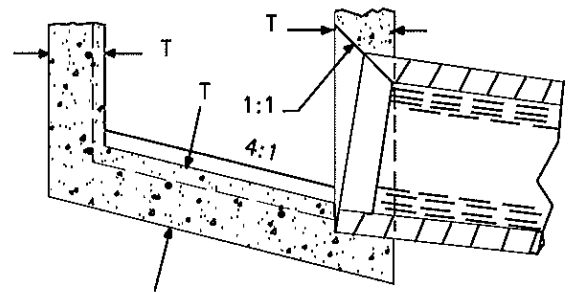
STEP DETAIL

FRAME & COVER
IN ACCORDANCE WITH
STD. PLAN No 311

FACE PLATE & CURB
SUPPORT IN ACCORDANCE WITH
STD. PLAN No. 302-1 OR 302-2



SECTION A-A



ALTERNATE FLOOR

REVISIONS


10/10/07

CITY OF FOUNTAIN VALLEY

CATCH BASIN TYPE II

STANDARD
PLAN NO.

301 - 1


APPROVED BY:  MARK LEWIS R.C.E. 49335
CITY ENGINEER

DATE: 06/03/03

SHEET: 1 OF 2

NOTES:

1. CURB OPENING SHALL CONFORM TO ADJACENT CURB ALIGNMENT.
2. REINFORCING STEEL FOR WALLS AND FLOOR SHALL BE #4 BARS @ 18 INCHES O.C. BOTH WAYS, PLACED 1-1/2 INCHES CLEAR TO INSIDE OF CATCH BASIN, WITH OVERLAPPED REBAR 12-INCHES MINIMUM.
3. STEPS:
 - a. NONE REQUIRED WHERE 'H' IS 3 FEET- 6 INCHES OR LESS.
 - b. INSTALL ONE STEP 16 INCHES ABOVE FLOOR WHEN 'H' IS MORE THAN 3 FEET-6 INCHES AND LESS THAN 5 FEET- 0 INCHES.
 - c. WHERE 'H' IS MORE THAN 5 FEET- 0 INCHES, STEPS SHALL BE EVENLY SPACED AT 16 INCH INTERVALS FROM 16 INCHES ABOVE THE FLOOR TO WITHIN 12 INCHES OF THE TOP OF THE BOX.
 - d. PLACE STEPS IN WALL WITHOUT PIPE PENETRATION.
4. PIPES MAY BE PLACED IN ANY WALL.
5. CATCH BASIN FLOORS SHALL BE SLOPED FROM ALL DIRECTIONS TOWARD OUTLET PIPE AND SHALL HAVE A WOOD TROWEL FINISH.
6. DIMENSIONS:
 - H = 4 FEET- 0 INCHES UNLESS OTHERWISE SHOWN.
 - T = 6 INCHES FOR H = 8 FEET- 0 INCHES OR LESS.
 - T = 8 INCHES FOR H = 8 FEET- 1 INCH TO 20 FEET- 0 INCHES.
7. CURB FACE AT CATCH BASIN OPENING SHALL BE EQUAL TO EXISTING C.F. + DEPTH OF LOCAL DEPRESSION (A), SEE STD. PLAN No. 303.
8. CONCRETE: $f'c = 3250$ psi AT 28 DAYS.

REVISIONS	CITY OF FOUNTAIN VALLEY	STANDARD PLAN NO.
06/08/06	NOTES FOR STANDARD PLAN 301-1	301-2
		
APPROVED BY:	MARK LEWIS R.C.E. 49335 CITY ENGINEER	DATE: 06/03/03
		SHEET: 2 OF 2