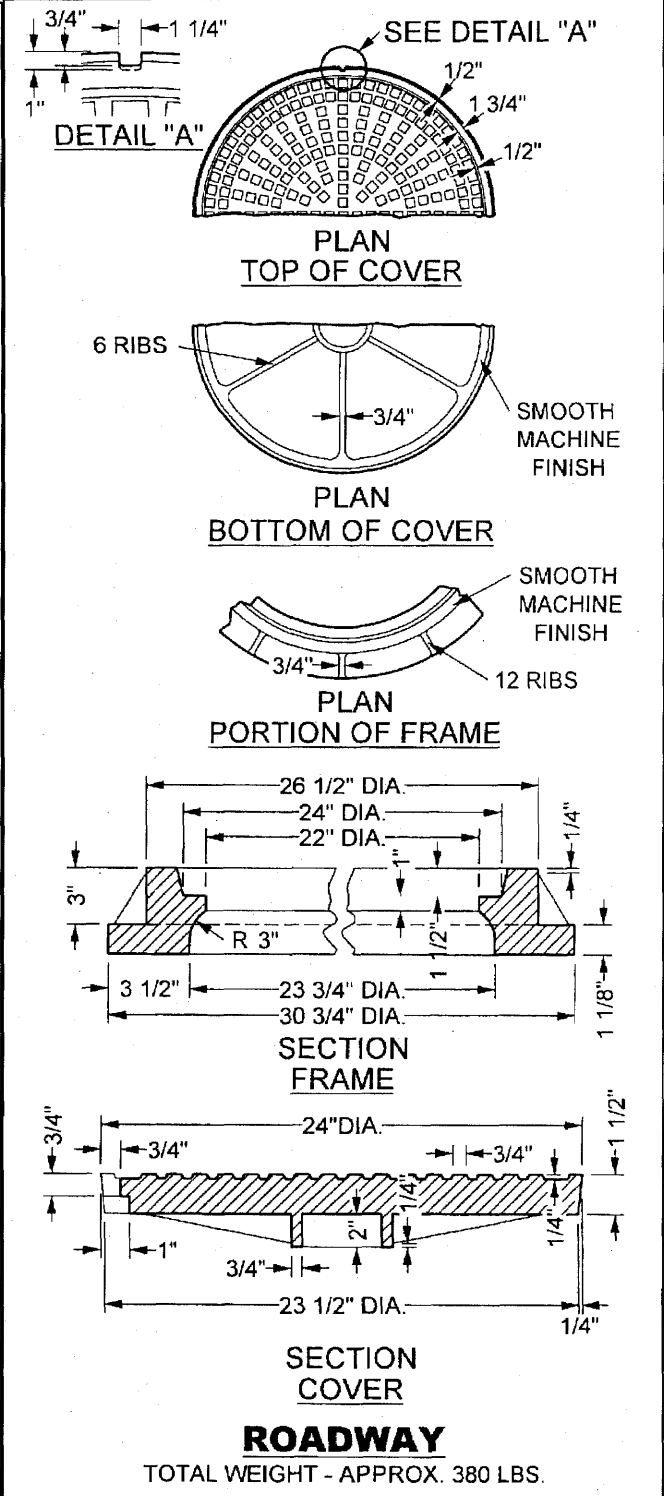
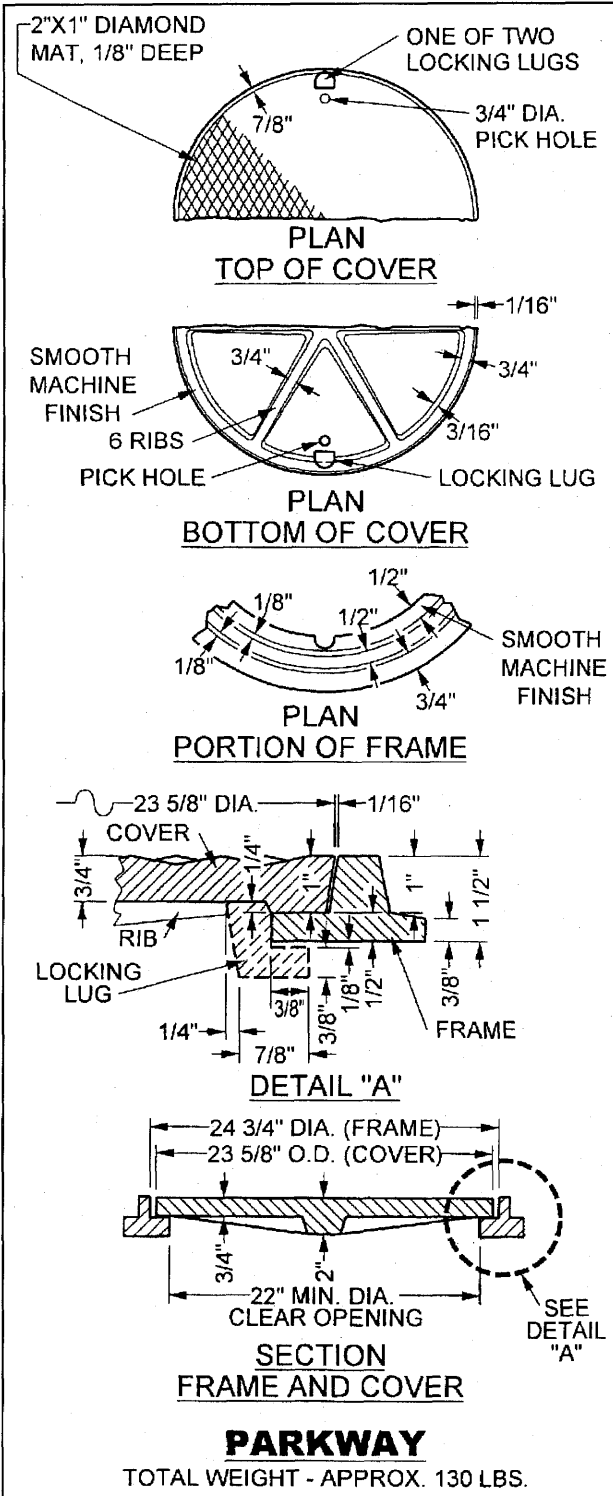


R.C.T.D. STD. No. 608



**REVISIONS:**

APPROVED  
08/21/01

CHRIS A. VOGT  
CITY ENGINEER  
RCE 44250



*City of La Quinta*

**MANHOLE FRAMES AND COVERS**

STANDARD

**312**

SHEET 1 OF 1