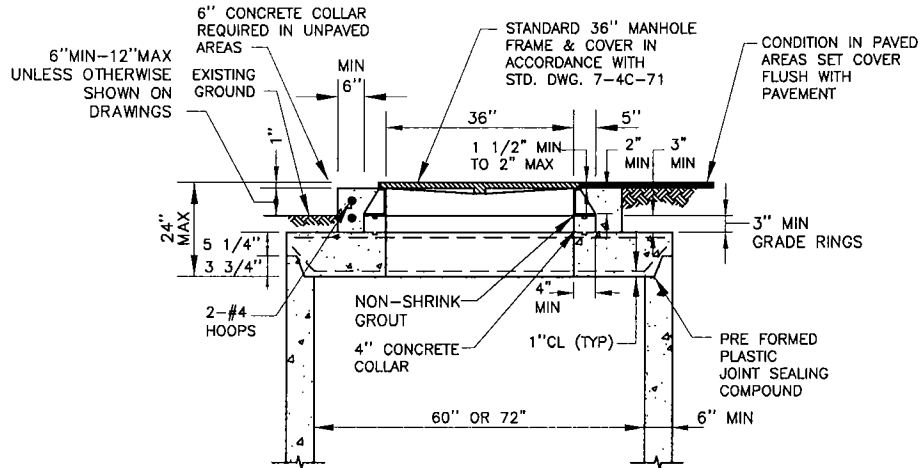


PLAN



SECTION A-A

SACRAMENTO COUNTY  
MUNICIPAL SERVICES AGENCY

STANDARD  
PRECAST 60" AND 72"  
SLAB TOP DETAILS

DRAWN BY: RAS  
SCALE: NONE  
DATE: 11/07

7-4C-51

*Mary K Snyder*  
DIRECTOR