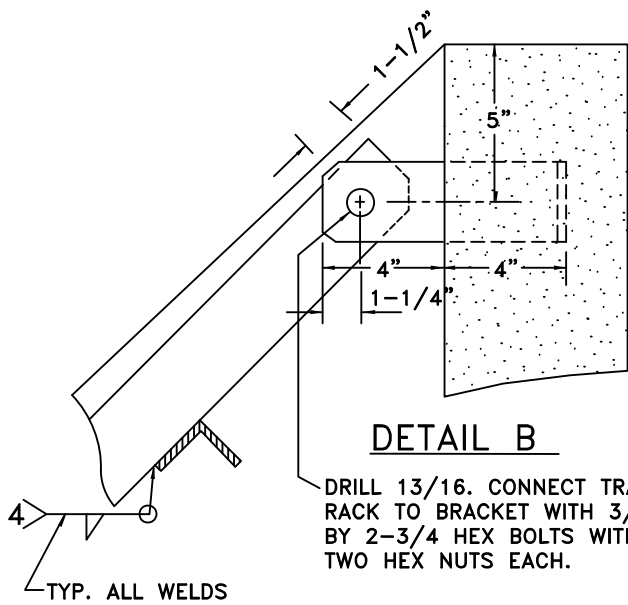
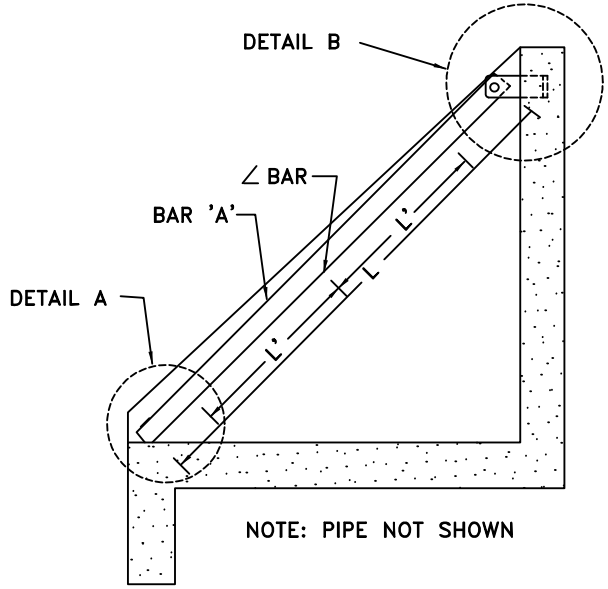
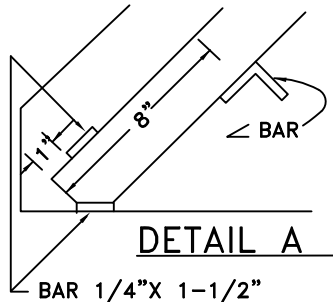
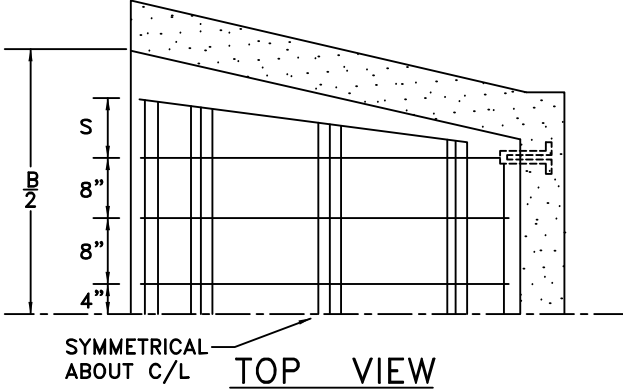


TRASH RACK DIMENSIONS

DIA.	NUMBER & SIZE		L	L'	S	H
	BAR A	L BAR				
33"	8-3/8 X 2 1/2	3-2 X 2 X 1/4	5'-1"	1'-10"	8"	3'-8"
36"	"	"	5'-4"	1'-11"	8"	3'-10"
42"	9-3/8 X 2 1/2	"	5'-11"	2'-3"	9"	4'-4"
48"	"	4-2 X 2 X 1/4	6'-7"	1'-9"	10"	4'-10"
54"	10-3/8 X 3	4-3 X 3 X 1/4	7'-9"	2'-1 1/2"	10 1/2"	5'-8"
60"	11-3/8 X 3 1/2	"	8'-5"	2'-4"	11"	6'-2"



NOTES

1. THIS TRASH RACK MAY BE USED WITH PIPE INLET STRUCTURES.
2. MATERIAL TO CONFORM TO ASTM DESIGNATION A-36.
3. 'S' MAY VARY WITH 'B'. SEE PLATE.
4. ALL FILLET WELDS TO BE 3/16"
5. 2- HINGES REQUIRED FOR 33, 36 & 42 INCH PIPES. 3- HINGES REQUIRED FOR 48, 54 & 60 INCH PIPES.

	DEPARTMENT OF PUBLIC WORKS
TRASH RACK (33" PIPE OR LARGER)	
SCALE: NONE REVISED: MARCH 2007 DRAWN BY: STAFF APPROVED BY: R JENSEN	
DR-15	

ROB JENSEN
 DIRECTOR OF PUBLIC WORKS/CITY ENGINEER