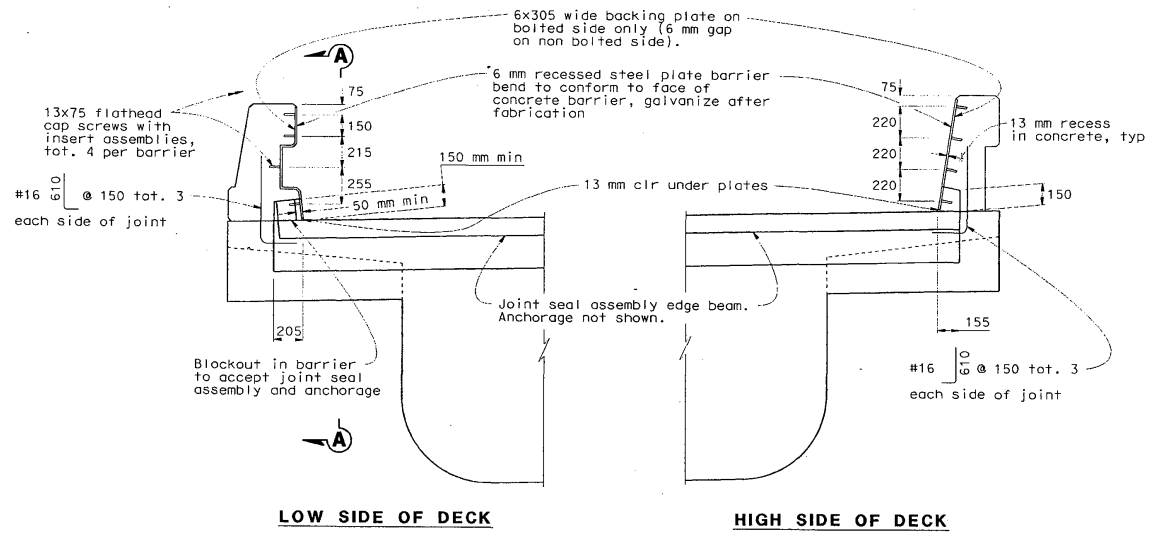


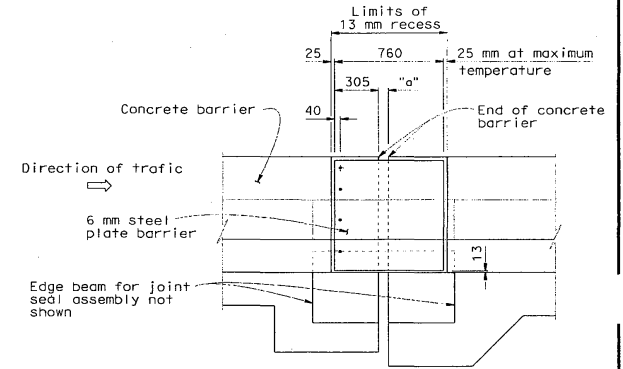


| | | | | |
|------|--------|-------|------------------------------|--------------------|
| DIST | COUNTY | ROUTE | KILOMETER POST TOTAL PROJECT | SHEET TOTAL SHEETS |
| 11 | SD | 15 | M38.7/M42.7 | 788 822 |

Richard E. Schendel
 REGISTERED CIVIL ENGINEER No. C64259
 8-6-04 DATE
 4-12-04 PLANS APPROVAL DATE
 Exp. 6-30-07
 CIVIL ENGINEER
 STATE OF CALIFORNIA

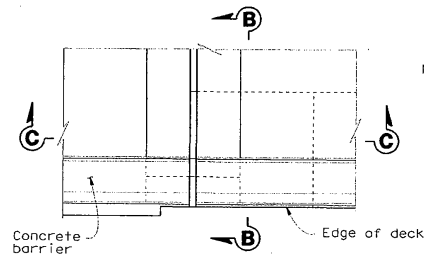


| JOINT INFORMATION | | "a" DIMENSION | | | |
|-------------------|----------------------|---------------|--------|---------------|--------|
| LOCATION | MOVEMENT RATING (MR) | SKEW | WINTER | SPRING & FALL | SUMMER |
| Abutment 1 | 140 | 0 | 70 | 50 | 35 |
| Abutment 6 | 140 | 0 | 70 | 50 | 35 |

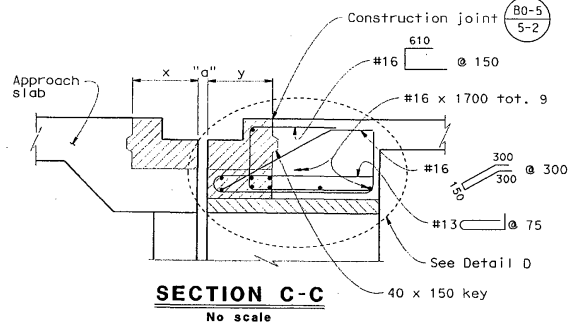


SEAL INSTALLATION

No scale
Note: Left bridge shown, right bridge similar



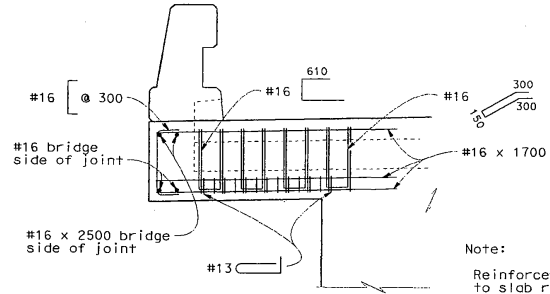
PLAN - DECK JOINT
No scale



SECTION C-C
No scale

Indicates expanded polystyrene
 Indicates joint seal assembly blockout

Note: x is greater than or equal to y



SECTION B-B
No scale

Note: Reinforcement shown is in addition to slab reinforcement.

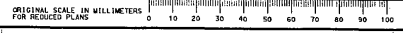
ALL DIMENSIONS ARE IN MILLIMETERS UNLESS OTHERWISE SHOWN

PHASE 2

BRIDGE NO. 57-1134R/L
 KILOMETER POST 43.19
LAKE HODGES BRIDGE
ABUTMENT JOINT SEAL DETAILS

| | | | | | |
|------------|---------------------|-------------------|------------------------------|------------------------|----------------------|
| DESIGN | BY Richard Schendel | CHECKED Tong Yang | STATE OF CALIFORNIA | DIVISION OF STRUCTURES | BRIDGE NO. |
| DETAILS | BY kc/other | CHECKED Tong Yang | DEPARTMENT OF TRANSPORTATION | STRUCTURE DESIGN 12 | 57-1134R/L |
| QUANTITIES | BY R. McGoagh | CHECKED A. Wardak | | | KILOMETER POST 43.19 |

ORIGINAL SCALE IN MILLIMETERS FOR REDUCED PLANS
 CU 11 EA 080921
 DISREGARD PRINTS BEARING EARLIER REVISION DATES



| | | |
|---|----------|-------|
| REVISION DATES (PRELIMINARY STAGE ONLY) | SHEET 46 | OF 80 |
|---|----------|-------|

DATE PLOTTED: 03-12-06 12:06:26 PM
 PLOTTER: PLOT01