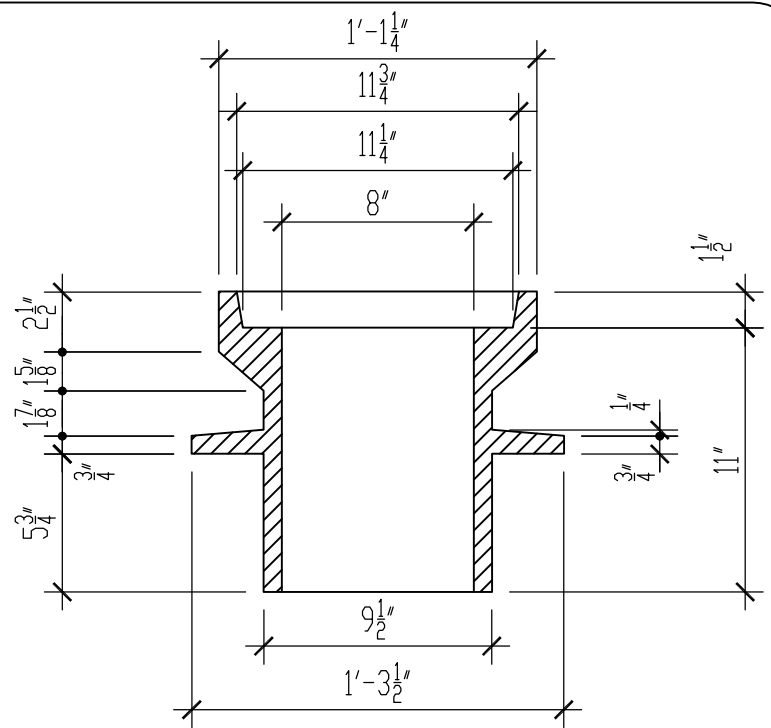
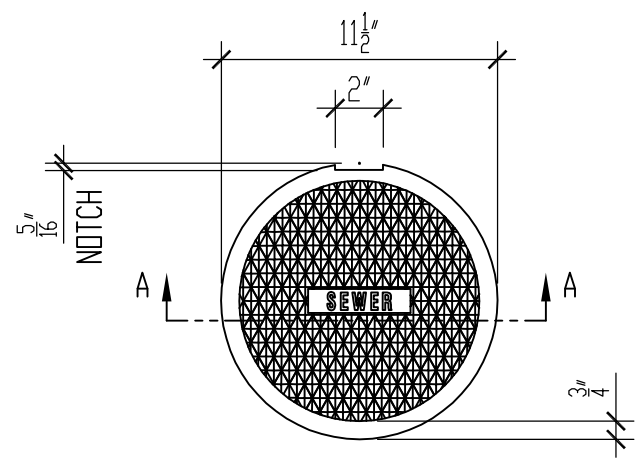


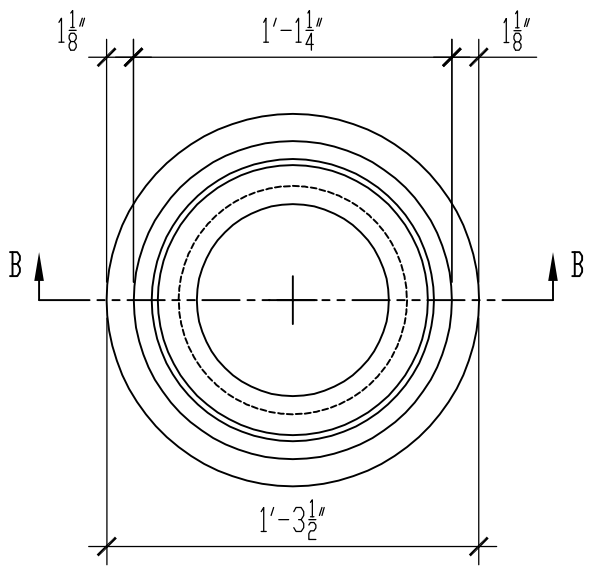
SECTION A-A



SECTION B-B



PLAN OF TOP CLEANOUT COVER



PLAN OF TOP CLEANOUT FRAME

LB 524 / X-524 CLEANOUT FRAME AND COVER



LBIW Inc.
 2020 WEST 14TH STREET
 LONG BEACH, CA. 90813
 Tel No. : (562) 432.5451
 Fax No. : (562) 435.5929
 www.lbiw.com

PRODUCT NUMBER
LB 524 / X-524
CLEANOUT
FRAME /
COVER



ALHAMBRA FOUNDRY COMPANY
 REFERENCE NUMBER(S)
 *A-524 FRAME AND COVER
 *A524 FRAME AND COVER

LOAD RATING
 TRAFIC RATED

SPECIFICATIONS
 MATERIAL : CAST IRON
 COATING : BLACK ASPHALTUM
 FINISH

MADE IN USA

ESTIMATED WEIGHT
 152 LBS MINUS 5% PLUS 10%

STANDARD PLAN REFERENCE
 *LONG BEACH WATER
 DEPARTMENT WDS-506
 - SEWER CLEANOUT
 MAIN LINE

DRAWN	DATE
EB	01-03-23

REVISED	DATE

REFERENCE INFORMATION
 LBIW CATALOG

SECTION 03