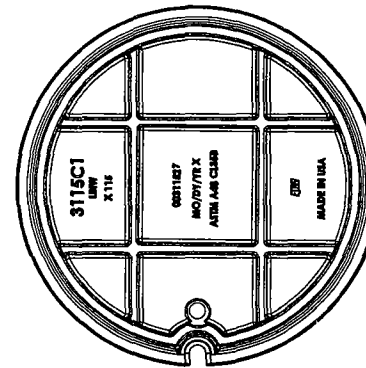
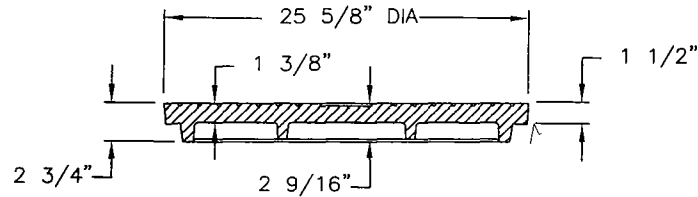


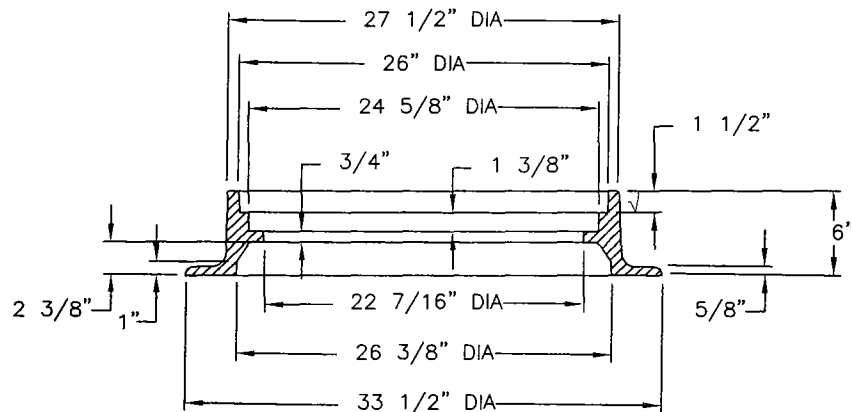
PLAN VIEW



BOTTOM VIEW



COVER SECTION



COVER SECTION

EJIW EAST JORDAN
IRON WORKS EST. 1883

800-626-4653
www.ejiw.com
MADE IN USA

PRODUCT NUMBER
00311527A01

CATALOG NUMBER
3115C1
3115Z

**ASSEMBLY
(LBIW X115)**

LOAD RATING
HEAVY DUTY

COATING
DIPPED

SPECIFICATION
COVER - GRAY IRON
ASTM A48 CL35B
FRAME - GRAY IRON
ASTM A48 CL35B

OPEN AREA
N/A

√ DESIGNATES MACHINED SURFACE

DRAWN DEW	DATE 09/24/08
--------------	------------------

LAST REVISED	DATE
--------------	------

REFERENCE INFORMATION

00311510
00311527