



LBIW Inc.

2020 WEST 14TH STREET
LONG BEACH, CA. 90813
Tel No. : (562) 432.5451
Fax No. : (562) 432.5929

www.lbiw.com

PRODUCT NUMBER

LB S-2017

8" GAS TRAP

ESTIMATED WEIGHT

46 LBS.

WEIGHTS VARY ± 5%

SPECIFICATION

STAINLESS STEEL 316L

OPEN AREA

DESIGNATES MACHINED

DRAWN

EB

DATE

10-30-08

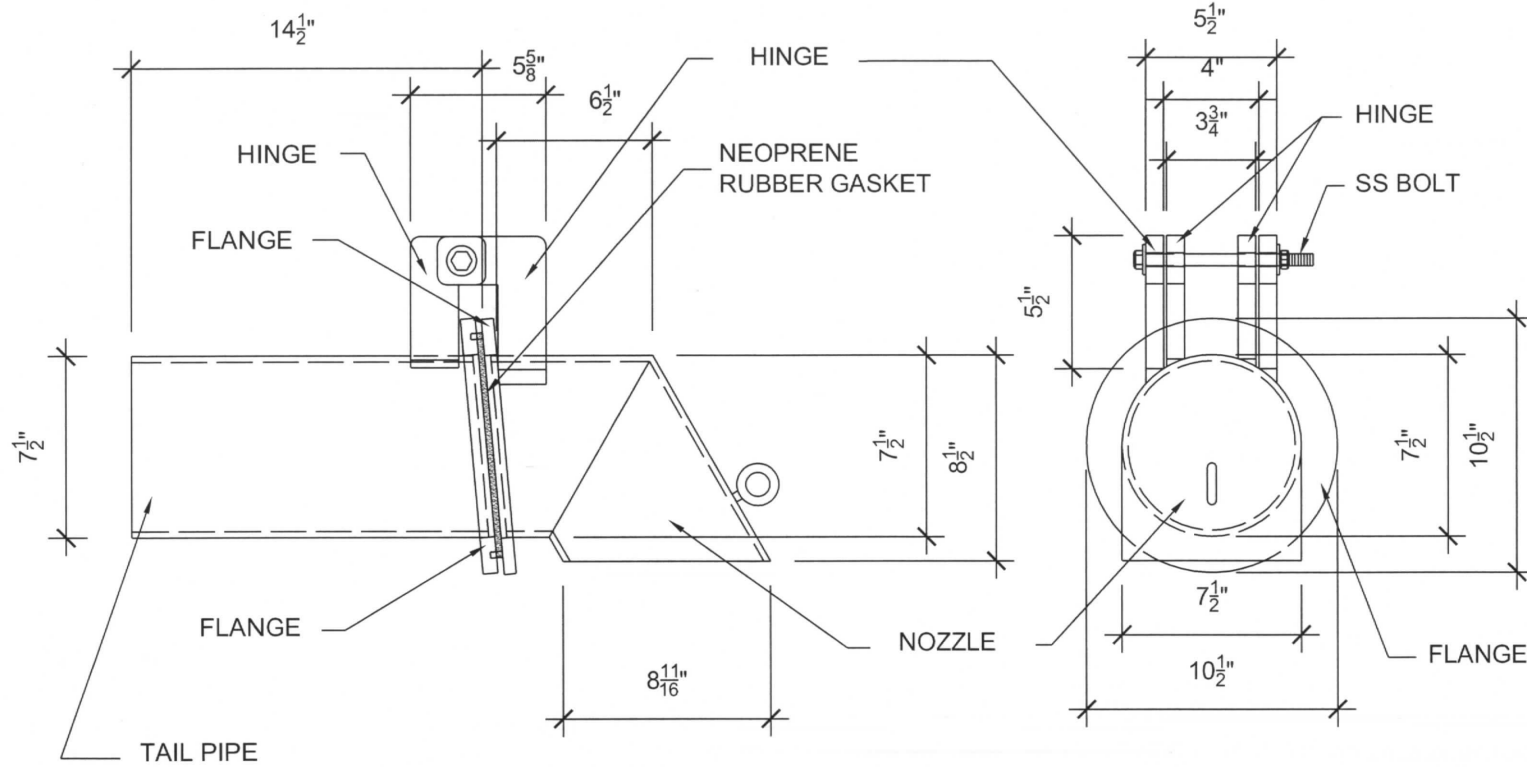
CITY DWGS.

PC. MK. NO.

8

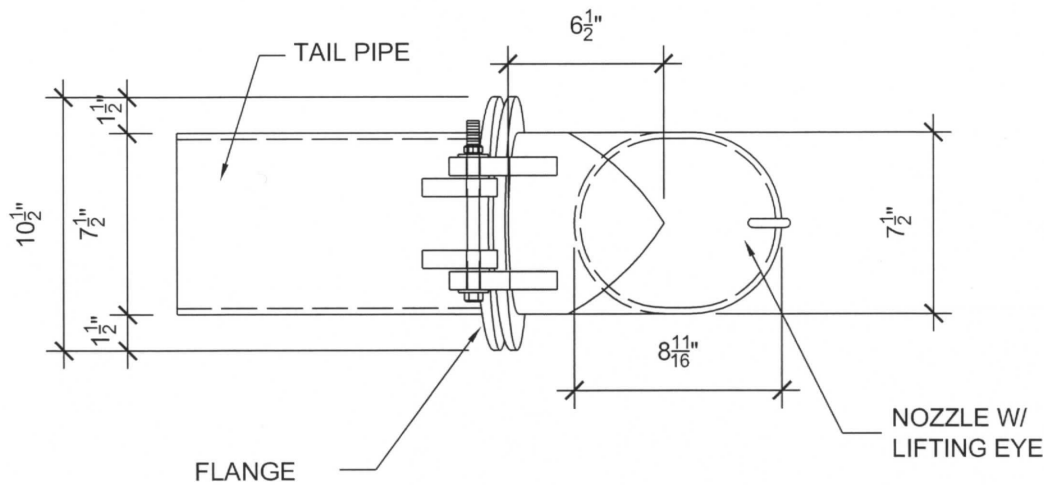
REFERENCE INFORMATION

S-a-211 - LACSD



SIDE ELEVATION

FRONT ELEVATION



PLAN VIEW