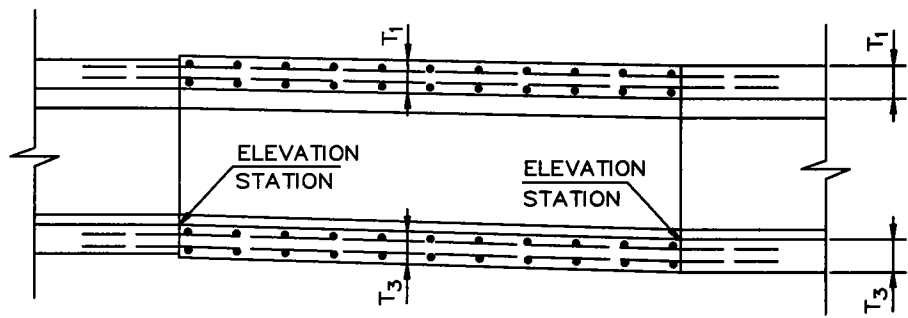
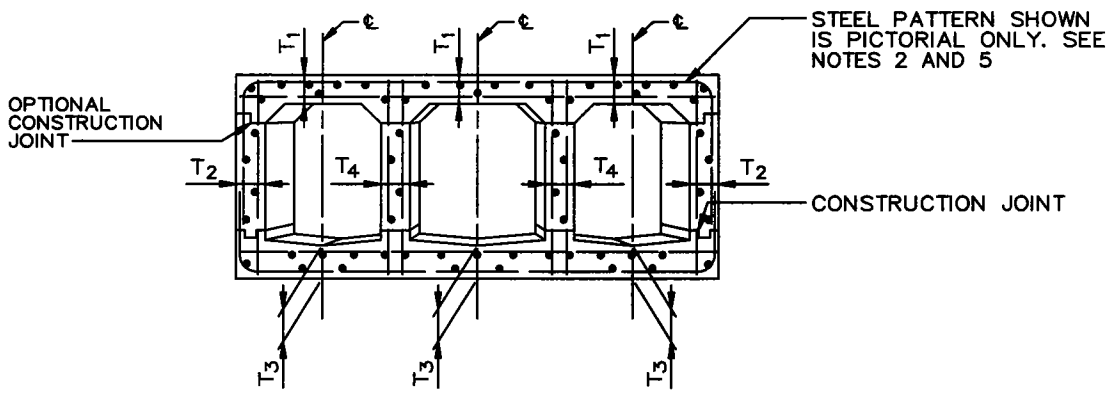


PLAN



SECTION A-A



SECTION B-B

STANDARD PLANS FOR PUBLIC WORKS CONSTRUCTION

PROMULGATED BY THE
PUBLIC WORKS STANDARDS INC.
GREENBOOK COMMITTEE
1992
REV. 1995, 2009

TRANSITION STRUCTURE
TRIPLE RCB TO TRIPLE RCB INLETS

USE WITH STANDARD SPECIFICATIONS FOR PUBLIC WORKS CONSTRUCTION

STANDARD PLAN

346-2

SHEET 1 OF 2