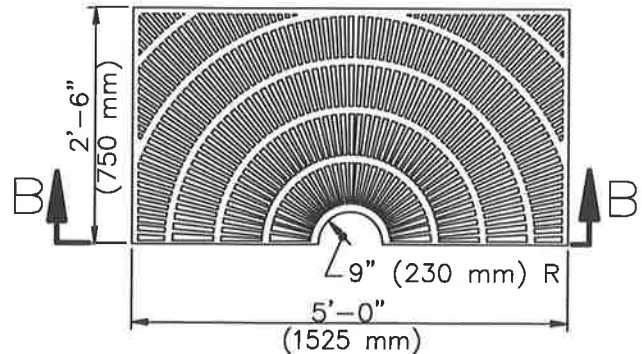
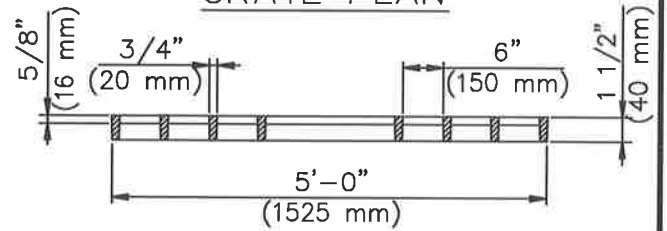


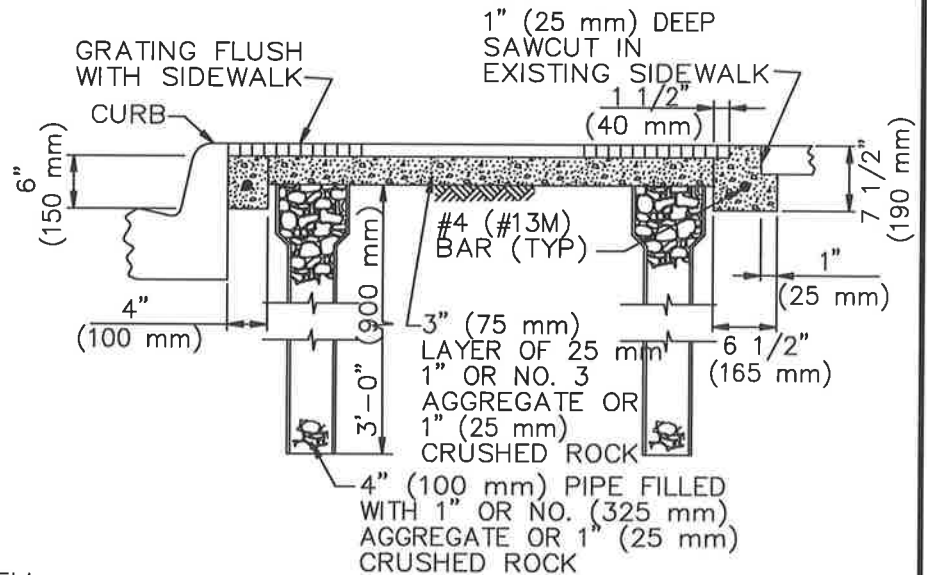
PLAN



GRATE PLAN



SECTION B-B



SECTION A-A

NOTES FOR TYPE 4 TREE WELL

1. GRATE MATERIAL TO BE CAST IRON.
2. GRATE PATTERN AS SPECIFIED ON PLANS OR IN SPECIFICATIONS.
3. EXISTING SIDEWALK SHALL BE CAREFULLY SAWCUT PREPARATORY TO LAYING OF FRAME. SAWCUT OVER-RUNS SHALL BE CLEANED AND FILLED WITH EPOXY APPROVED BY THE ENGINEER AND FINISHED TO SIDEWALK GRADE.
4. THE PIPE MAY BE CIP, ACP, VCP, ABS, PVC, GALV STL OR ASPHALT IMPREGNATED FIBER DUCT, AND IT MAY BE BELL OR PLAIN END.
5. AFTER ALL OTHER WORK PERTINENT TO PLANTING HAS BEEN COMPLETED. EACH TREE SHALL BE WATERED IMMEDIATELY WITH A MINIMUM OF 75 LITERS (20 GALLONS) OF WATER AND REPEATED 2 TIMES IN THE NEXT 3 DAYS. AFTER THE WATER HAS SETTLED AND THE SOIL IS SUFFICIENTLY DRY, THE SOIL SHALL BE GRADED AND TAMPED AND 3" (75 mm) CONCRETE AGGREGATE SHALL BE PLACED AND GRADED.

TYPE 4

STANDARD PLANS FOR PUBLIC WORKS CONSTRUCTION

STANDARD PLAN

TREE WELL

519-3

SHEET 5 OF 7