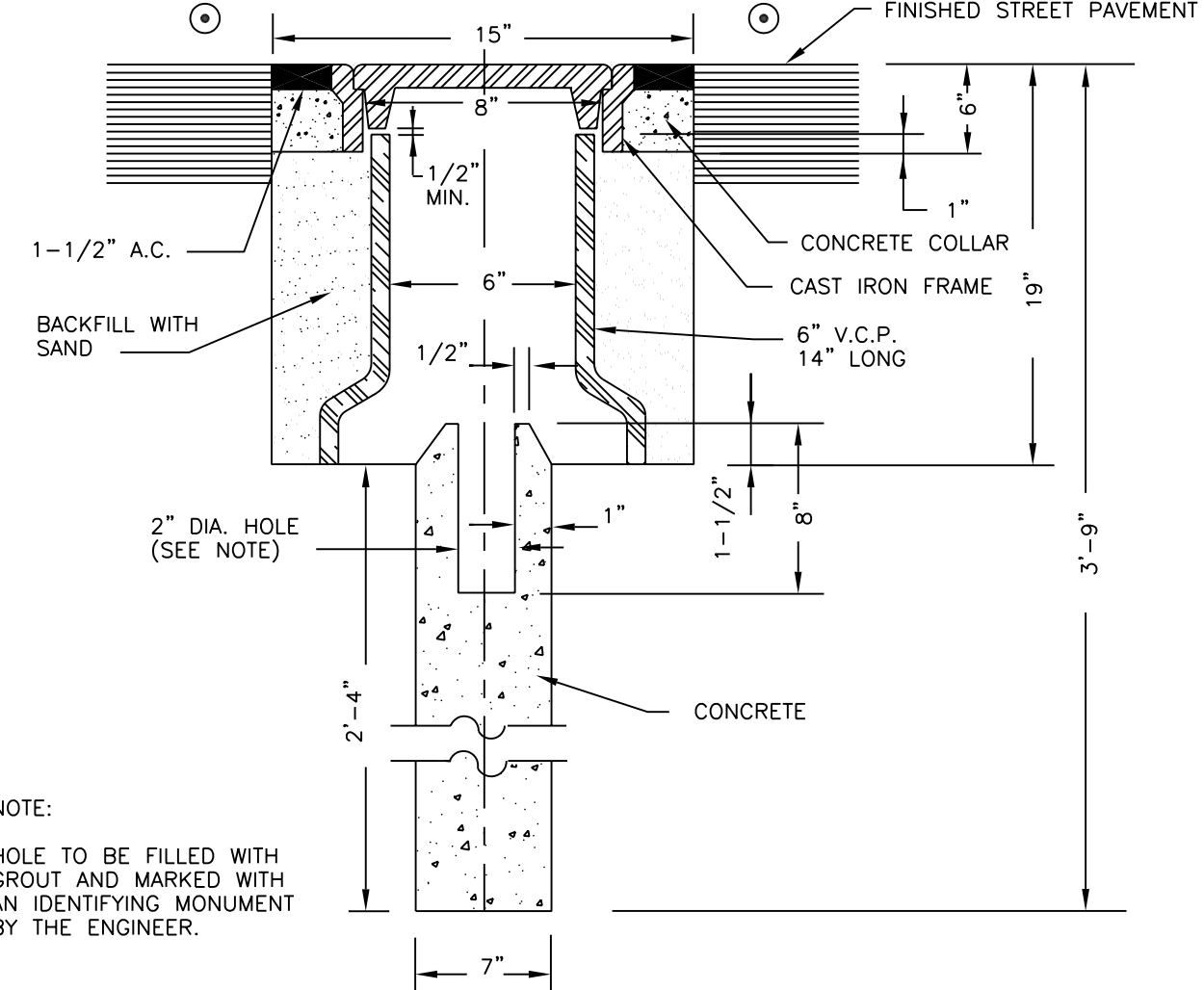


**TOP COVER DETAIL**



NOTE:  
HOLE TO BE FILLED WITH  
GROUT AND MARKED WITH  
AN IDENTIFYING MONUMENT  
BY THE ENGINEER.

REVISIONS	CITY OF IRVINE	STANDARD PLAN No.
	<b>SURVEY MONUMENT</b>	<b>214</b>
	Approved by: Mark L. Carroll R.C.E. 31515 City Engineer	Date: 6-2-92  Sheet 1 of 1