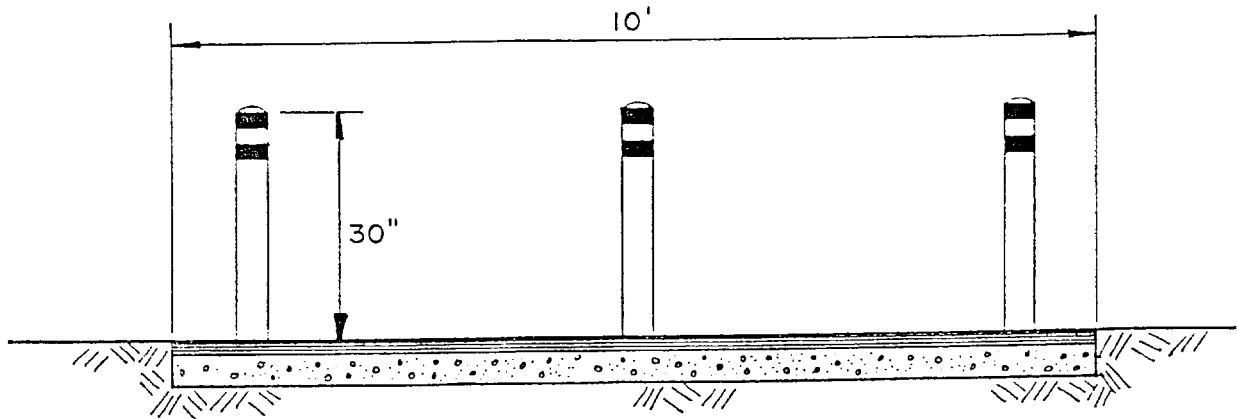
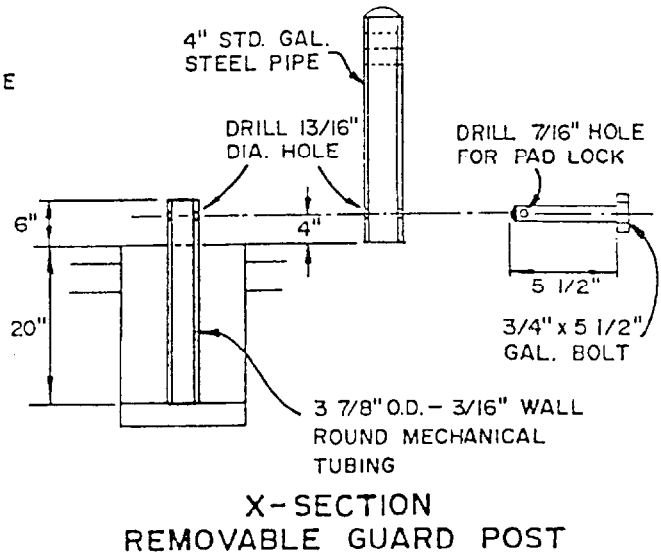
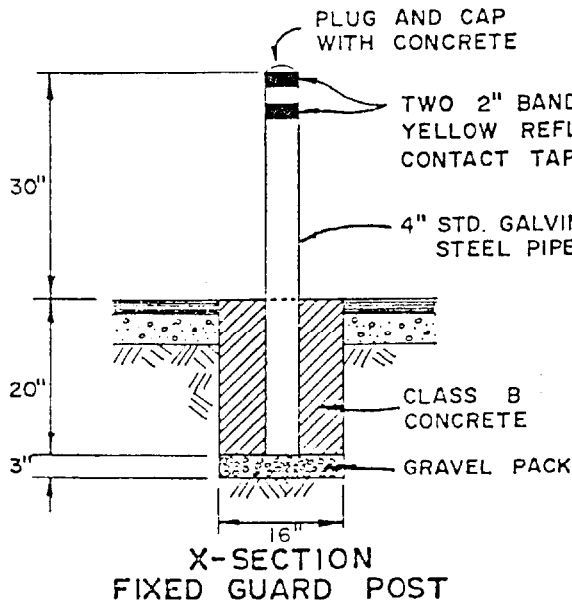


PLAN



ELEVATION



Revisions	CITY OF BIG BEAR LAKE	Standard Plan No.
4	BIKEWAY BARRIER	
3		266
2	APPROVED	
1		
DRAFT		16 OCT 89