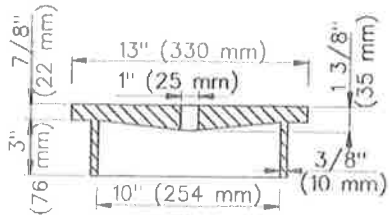
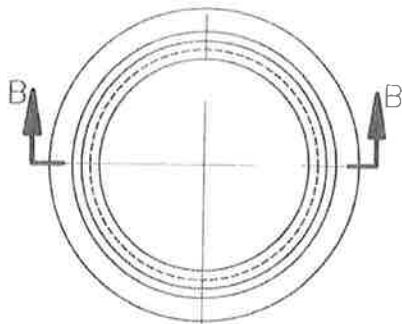


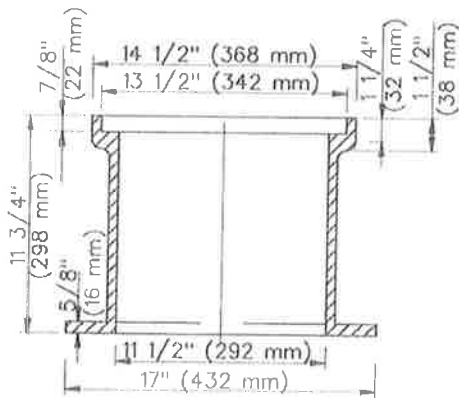
ACCESS COVER



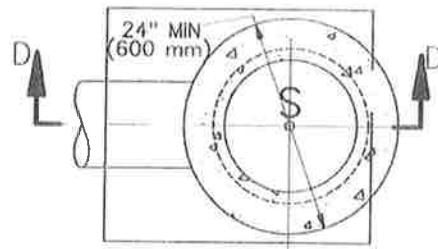
SECTION A-A



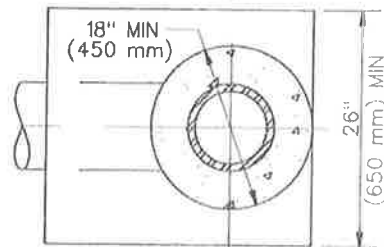
ACCESS FRAME



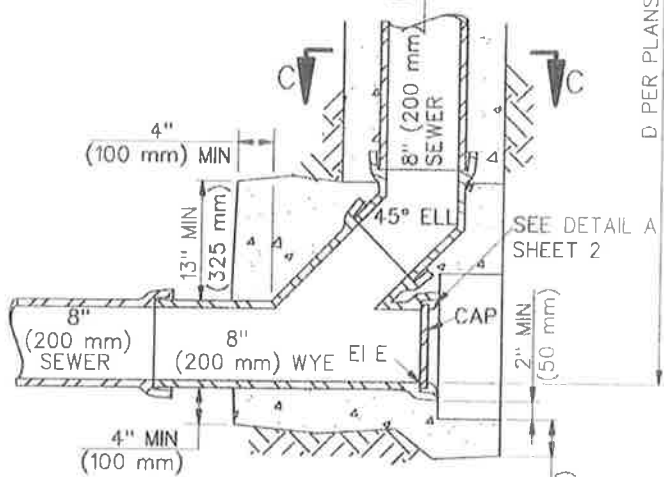
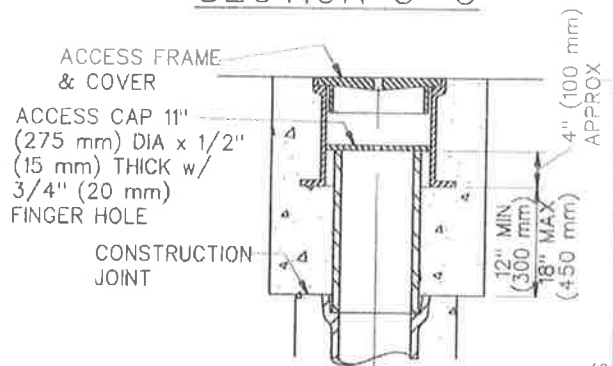
SECTION B-B



PLAN



SECTION C-C



SECTION D-D

STANDARD PLANS FOR PUBLIC WORKS CONSTRUCTION

PROMULGATED BY THE  
PUBLIC WORKS STANDARDS INC.  
GREENBOOK COMMITTEE  
1993  
REV. 2005, 2009, 2021

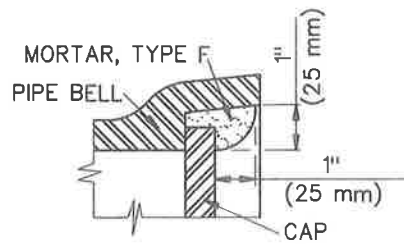
TERMINAL CLEANOUT STRUCTURE

STANDARD PLAN

204-3

USE WITH STANDARD SPECIFICATIONS FOR PUBLIC WORKS CONSTRUCTION

SHEET 1 OF 2



## DETAIL A

### NOTES:

1. VALUES OF DIMENSION D AND ELEVATION E SHALL BE AS SHOWN ON THE PLANS.
2. PIPE AND FITTINGS, UNLESS OTHERWISE NOTED, SHALL BE OF THE SAME MATERIALS AS THE SEWER, UNLESS APPROVED ADAPTORS ARE USED, AND MAY BE ANY OF THE FOLLOWING:
  - A. VC PIPE
  - B. PE PIPE
  - C. ABS SOLID WALL PIPE
  - D. ABS COMPOSITE PIPE
  - E. PVC PLASTIC PIPE
3. PIPE AND FITTINGS SHALL BE BEDDED AND ENCASED IN CONCRETE AS SHOWN. CONCRETE SHALL BE CLASS 450-C-2000 (265-C-14). JOIN AND ALIGN PIPE AND FITTINGS BEFORE PLACING CONCRETE. MAINTAIN ALIGNMENT WHILE PLACING AND ALLOWING CONCRETE TO SET.
4. THE ACCESS FRAME, COVER AND CAP SHALL BE CAST IRON. FINGER HOLES MAY BE DRILLED OR BLOCKED OUT PRIOR TO CASTING. FINGER HOLES SHALL NOT BE PUNCHED OUT.
5. THE CONTRACTOR MAY PLACE EITHER CIRCULAR OR SQUARE CONCRETE PIPE WALL SUPPORTS.