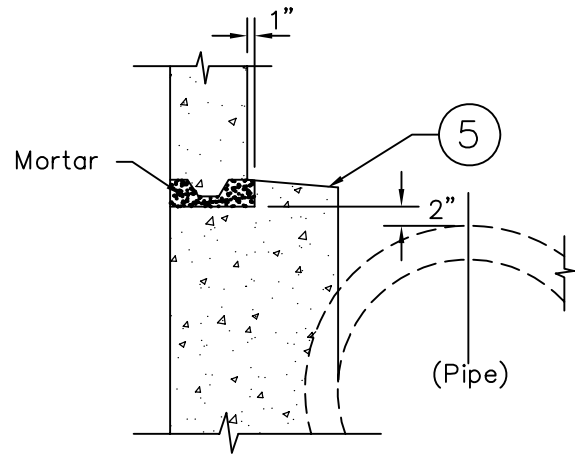


PLAN



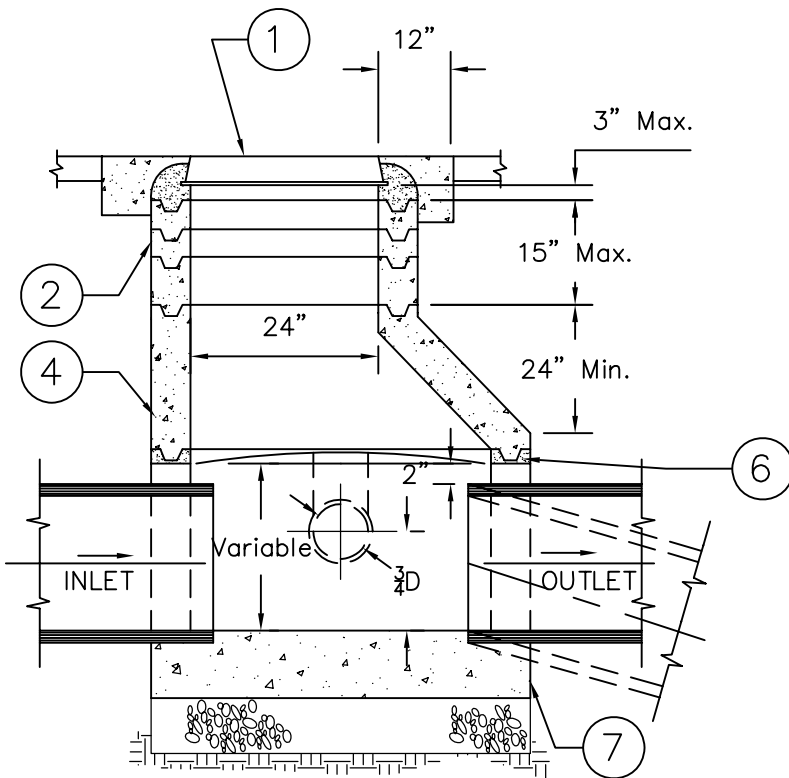
SECTION A-A

NOTES:

1. Manhole frame and cover shall have a 24" clear opening and shall conform to APWA Standard Plan 630-2 or use Model SBF 1495. Cover shall be lettered "STORM DRAIN". Inside of frame shall be grouted with non-shrink grout. Lid shall be rattle free without use of a sealant.
2. Use only 3" or 6" adjustment rings. Cone top to frame top shall not exceed 15". Grade adjustment rings and manhole frames shall be sealed at every joint with butyl rubber (Conseal CS-102 or equal) and grouted on the inside.
3. PCC Collar shall conform to Standard Plan 638-AG.
4. Cone shall be eccentric and conform to riser requirements. Straight side of cone shall be positioned over outlet.
5. Manhole risers shall be 48" in diameter and shall conform to ASTM C478 for Precast Reinforced Manhole Sections.
6. Joints to be set in a butyl rubber sealant (Conseal CS-102 or equal). Inside of joints shall be grouted with non-shrink grout.
7. Manhole base. Refer to Standard Plan 207-AG.

REFERENCE:

- 301-AG Storm Drain Manhole
- 207-AG Manhole Base
- 630-2 (APWA) 24" Manhole frame and cover
- 638-AG PCC Collar



SECTION B-B

CITY OF ARROYO GRANDE - ENGINEERING DEPARTMENT

STANDARD PLAN

ISSUE DATE:

**SHALLOW STORM DRAIN
MANHOLE**

302-AG

APR 1, 2005

Don Spagnolo, P.E.
Director of Public Works/City Engineer
L.C.E. No. 42993

Sheet 1 of 1