

1/2 INCH Ø STEEL BARS, WELD TO PROTECTION BAR AT 6 INCHES O.C. AND TO BAND AT 120° (3 LOCATIONS). BEND STEEL PLATE AND WELD.

1/4 INCH x 3 INCH STEEL BAND, BEND 2 INCH FLANGE AT ENDS.

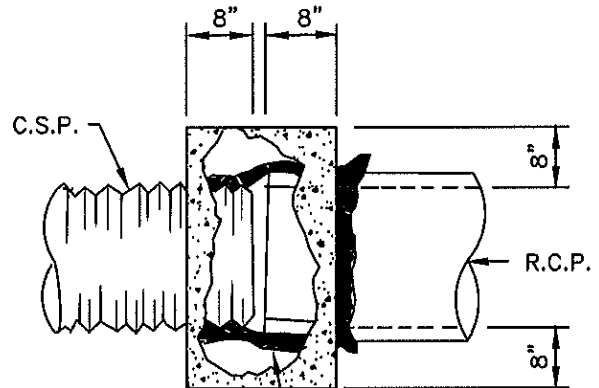
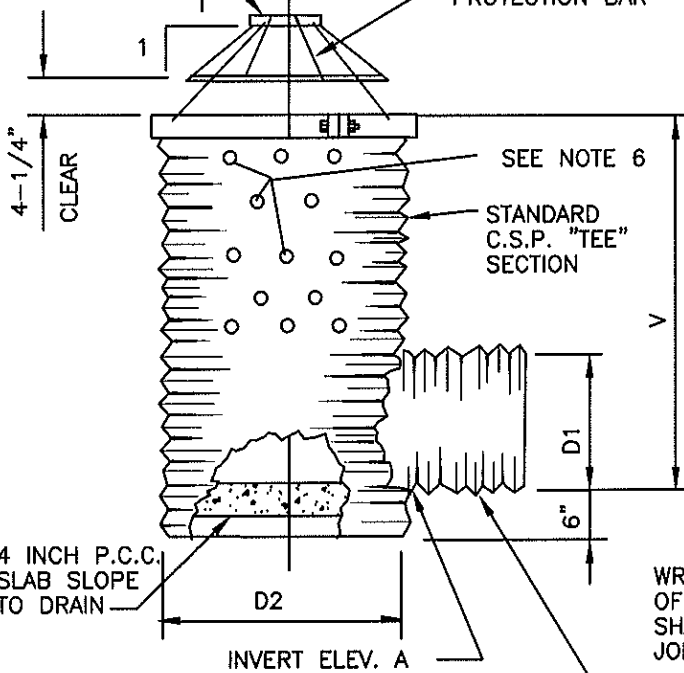
1/2 INCH Ø STEEL PROTECTION BAR

D2 RISER DIAMETER	C.S.P. GAUGE
18"-27"	16
30"-39"	14
42"-48"	12
51"-66"	10

1/4 INCH x 6 INCH DIA. STEEL PLATE

5/8 INCH Ø x 6 INCH GALVANIZED MACHINE BOLT

PROTECTION BAR



WRAP WITH ONE THICKNESS OF 15 POUND FELT PAPER, SHAPE OPENING FOR SMOOTH JOINT

NOTES:  
CONNECT TO R.C.P. WITH P.C.C. COLLAR, IN ACCORDANCE WITH DETAIL AT RIGHT

1. V, D1, D2 AND ELEVATION A SHALL BE SHOWN ON THE CONSTRUCTION PLANS.
2. GRATE ASSEMBLY SHALL BE FABRICATED TO FIT C.S.P. OF SIZE D2.
3. GRATE ASSEMBLY SHALL BE GALVANIZED AFTER FABRICATION.
4. R.C.P. SHALL BE SIZED TO FIT FUTURE CATCH BASIN DESIGN.
5. GRATE ASSEMBLY SHALL BE FABRICATED TO FIT THE OUTSIDE DIAMETER OF STANDARD JUNCTION STRUCTURE SHAFT IF INDICATED ON CONSTRUCTION PLANS.
6. 1/2 INCH WIDE SLOTS OR 1/2 INCH TO 1 INCH Ø HOLES.
7. D1 GAUGE SHALL BE SAME AS D2.

REVISIONS

CITY OF FOUNTAIN VALLEY

STANDARD PLAN NO.

CORRUGATED STEEL PIPE  
DROP INLET

304

APPROVED BY: MARK LEWIS R.C.E. 49335  
CITY ENGINEER

DATE: 06/03/03

SHEET: 1 OF 1