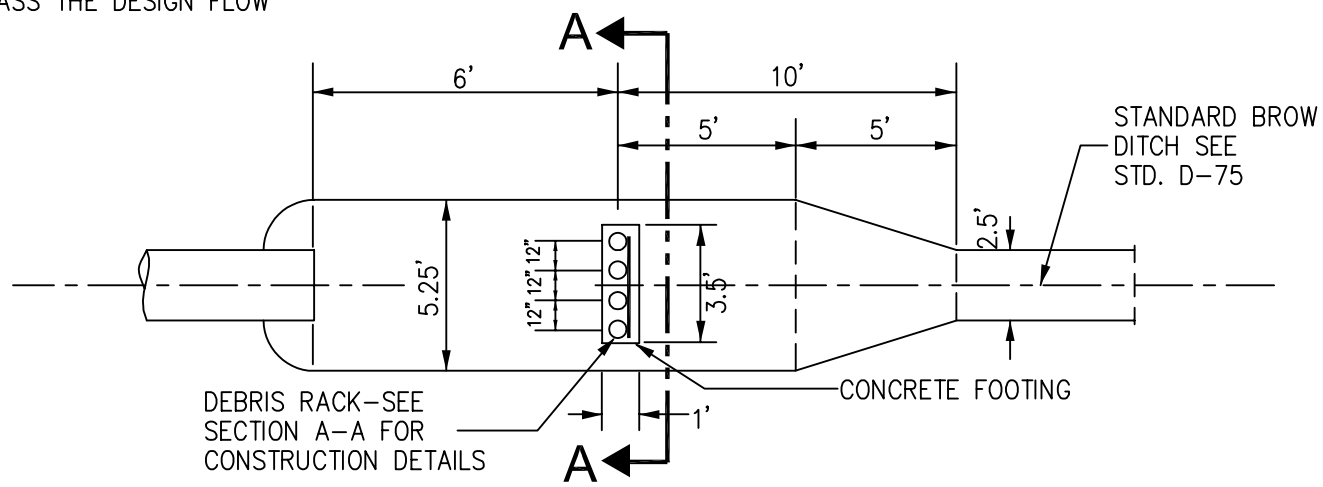
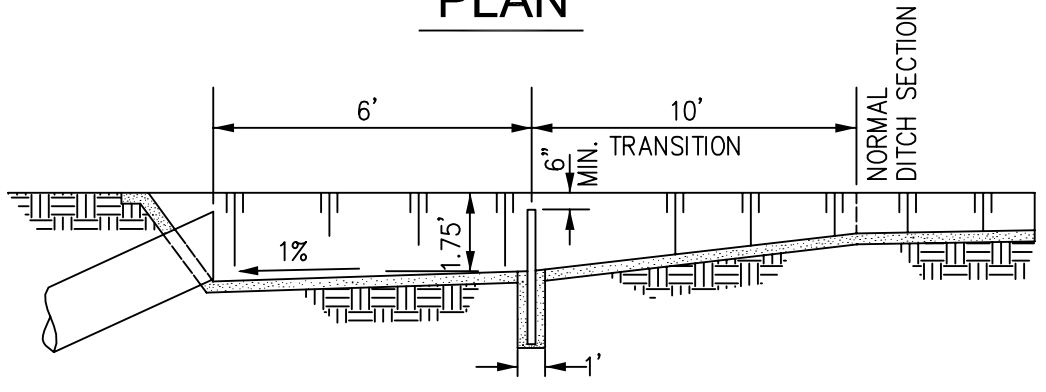


\* REGION ABOVE DEBRIS RACK SHALL HAVE AN AREA SUFFICIENT TO PASS THE DESIGN FLOW

**SECTION A-A**



**PLAN**



**ELEVATION**

|      |          |      |                               |                                       |
|------|----------|------|-------------------------------|---------------------------------------|
| REV. | APPROVED | DATE | CITY OF CARLSBAD              |                                       |
|      |          |      | <b>BROW DITCH DEBRIS RACK</b> | 6-04                                  |
|      |          |      |                               | CITY ENGINEER DATE                    |
|      |          |      |                               | SUPPLEMENTAL STANDARD NO. <b>DS-4</b> |