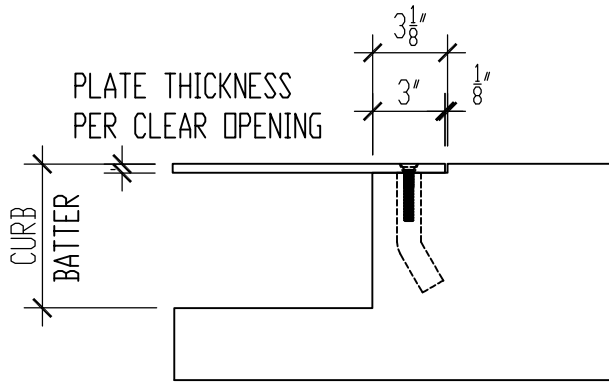


DIMENSIONS NEEDED:

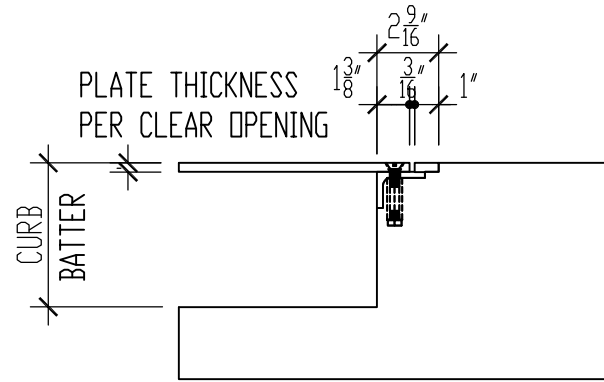
(A) _____ FEET _____ INCHES **(C)** _____ FEET _____ INCHES
(B) _____ FEET _____ INCHES **(D)** _____ FEET _____ INCHES

SELECT OPTION:

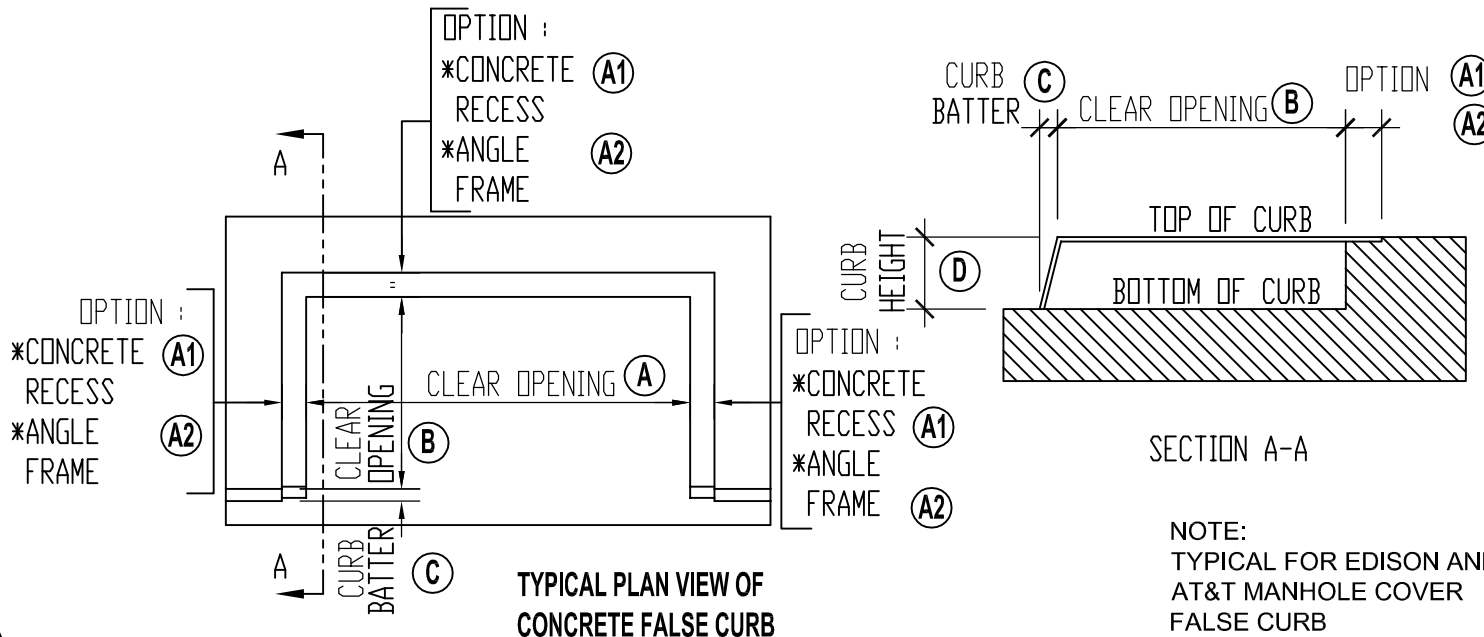
(A1) CONCRETE RECESS
 (A2) ANGLE FRAME



OPTION (A1) DETAILS
 *CONCRETE RECESS PER
 COLA S-322-2 DETAILS



OPTION (A2) DETAILS
 *ANGLE FRAME DETAILS



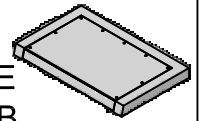
SECTION A-A

NOTE:
 TYPICAL FOR EDISON AND
 AT&T MANHOLE COVER
 FALSE CURB

LBIW Inc.
 2020 WEST 14TH STREET
 LONG BEACH, CA. 90813
 Tel No. : (562) 432.5451
 Fax No. : (562) 435.5929
 www.lbiw.com
FURNITURE & FABRICATION

PRODUCT NUMBER

LB 750
 REMOVABLE
 FALSE CURB



LOAD RATING

PEDESTRIAN RATED

MATERIAL SPECIFICATIONS

- *FLOOR PLATE ASTM A786
- *ALGRIP - GRADE DH
- *SLIP NOT - GR 2 MEDIUM

COATING: HOT DIP GALVANIZED
 PER ASTM A123 AFTER
 FABRICATION

MADE IN USA

EST. WEIGHT

PROJECT NAME:

STANDARD PLAN REFERENCE(S)

*COLA STD S-322-2 FOR REFERENCE

DRAWN EB	DATE 03-21-22
FOR FIELD MEASUREMENTS	DATE

REFERENCE INFORMATION

LBIW CATALOG
 SECTION 07