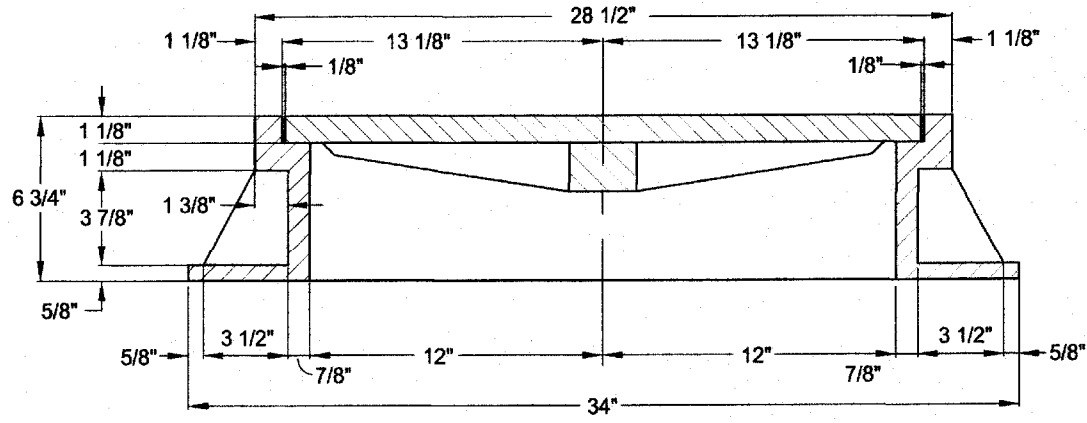
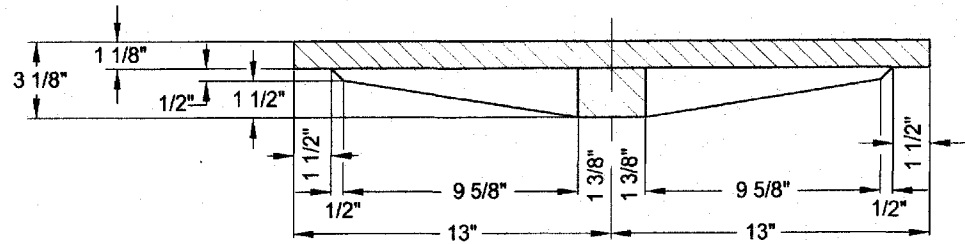


HALF PLAN OF HEAD AND COVER



SECTION A-A



SECTION B-B

**NOTE:**

- 1. ALL CASTINGS TO CONFORM TO ASTM A48, CLASS 30.

| REV. | DATE | DESCRIPTION |
|------|------|-------------|
|      |      |             |
|      |      |             |
|      |      |             |

CITY OF SACRAMENTO  
DEPARTMENT OF UTILITIES

STANDARD MANHOLE  
HEAD 1, COVER A

APPR'D BY: *DOB* NO SCALE  
DATE: MAY 2007 DWG. NO. S - 140

R:\Utilities\City\_Std\_Details\Sewer\_Drainage\S\_140\_StdManholeHICA.dwg