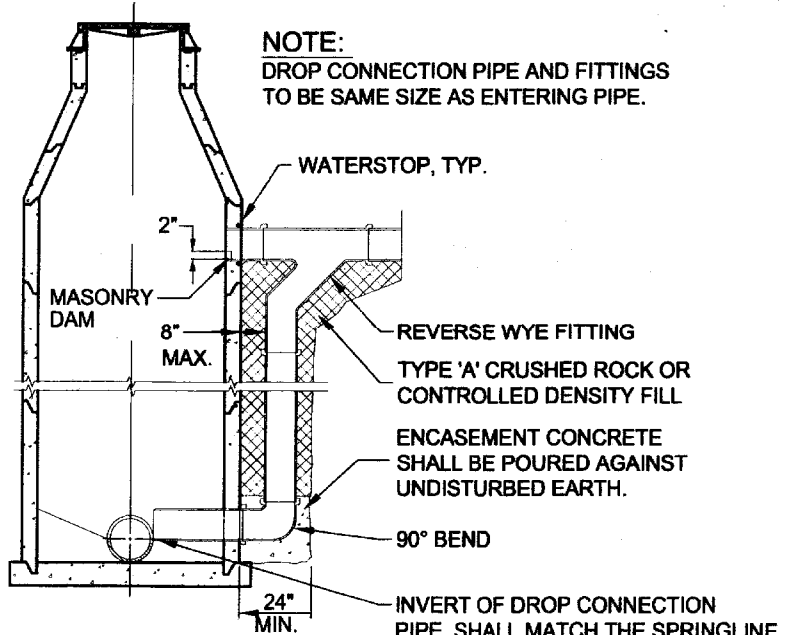


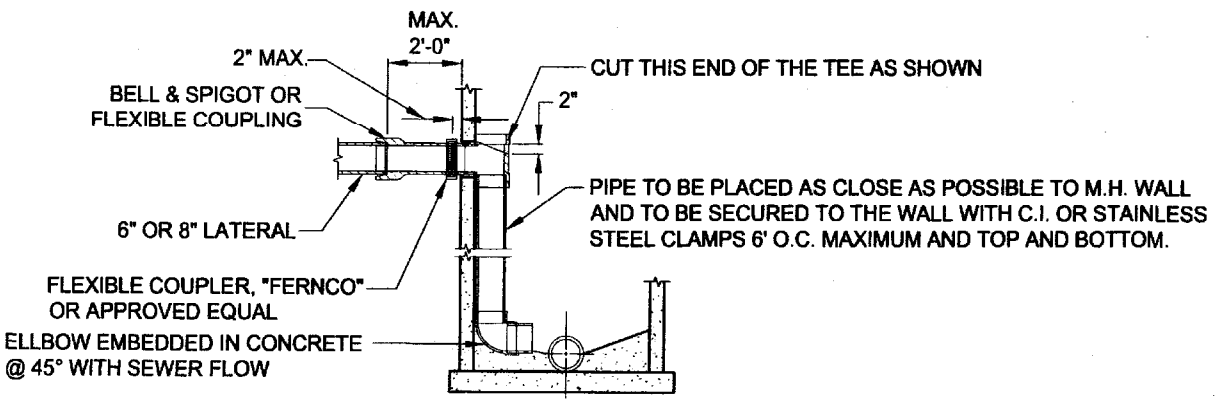
PLAN
INSIDE & OUTSIDE DROP MANHOLE



NOTE:
DROP CONNECTION PIPE AND FITTINGS
TO BE SAME SIZE AS ENTERING PIPE.

OUTSIDE DROP CONNECTION

FOR 10" AND LARGER DROP OR WHERE SPECIFICALLY
INDICATED ON THE DRAWINGS



INSIDE DROP CONNECTION

NOTES:

1. ALL INSIDE AND OUTSIDE DROP PIPING TO BE P.V.C. IN CONFORMANCE WITH ASTM D3034 (SDR 35).
2. ALL JOINTS SHALL BE SOLVENT WELDED.
3. DROP CONNECTION PIPE AND FITTINGS TO BE SAME SIZE AS LATERAL.
4. INSIDE DROP CONNECTIONS SHALL BE CORE-BORED. PROVIDE WATER-TIGHT CONNECTIONS WITH NON-SHRINK EPOXY GROUT AS DIRECTED BY ENGINEER.
5. PIPE JOINTS SHALL BE BELL & SPIGOT OR FLEXIBLE COUPLERS SUCH AS "FERNCO" OR APPROVED EQUAL.

REV.	DATE	DESCRIPTION
△		
△		
△		

R:\Utilistas\City_Std_Details\Sewer_Drainage\S_130_InsideOutsideDropConn.dwg