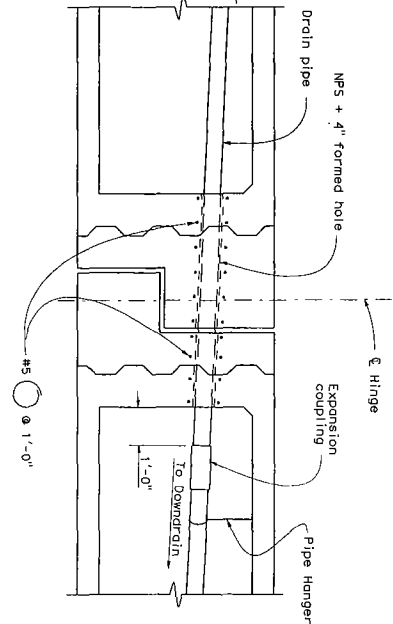


NOTES:

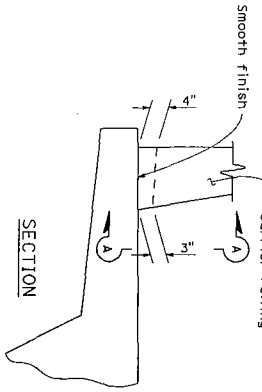
1. Pipe casing OD = NPS + 4" (1/4" Min wall thickness)
2. Unless otherwise shown on Project Plans, casing shall extend the full length of the pipe and shall be secured to the side of abutment.

DECK DRAIN PIPE DETAIL

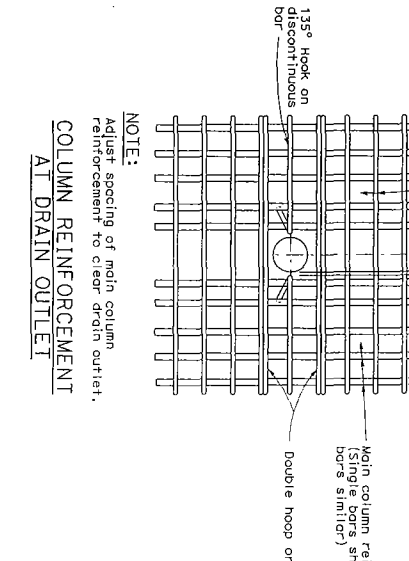
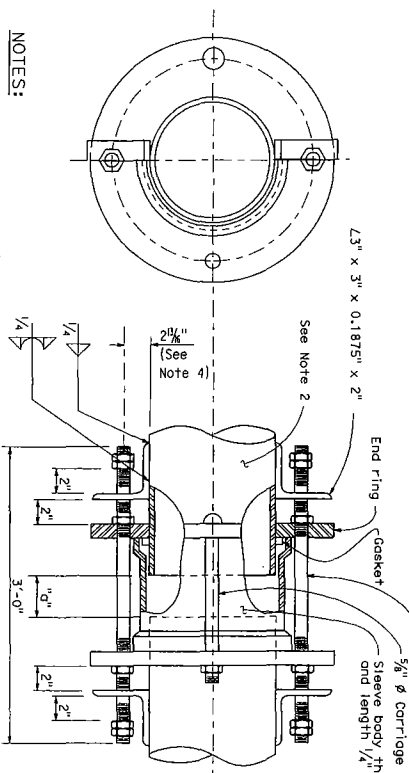
HINGE



SECTION



ELEVATION A-A
SCUPPER DETAIL
* At exterior face of barrier



NOTES:

1. All hardware to be galvanized.
2. For "d" dimension and pipe diameter, see Project Plans.
3. Expansion coupling with 4 bolts shown, allowed.
4. Adjust dimension to suit coupler and ring bolt circles.

EXPANSION COUPLING

DISST. COUNTY	ROUTE	POST MILEAGE	SHEET NO.	TOTAL SHEETS
REGISTERED PROFESSIONAL ENGINEER MAY 1, 2006 D.J. SIMS No. C4671 Exp. 6-30-07 REGISTERED PROFESSIONAL ENGINEER STATE OF CALIFORNIA CIVIL To get to the Collins web site go to: http://www.dcd.gov				

STATE OF CALIFORNIA
DEPARTMENT OF TRANSPORTATION
DECK DRAINAGE DETAILS
NO SCALE