

**TYPE A**  
CAST-IN-PLACE PIPE ONLY

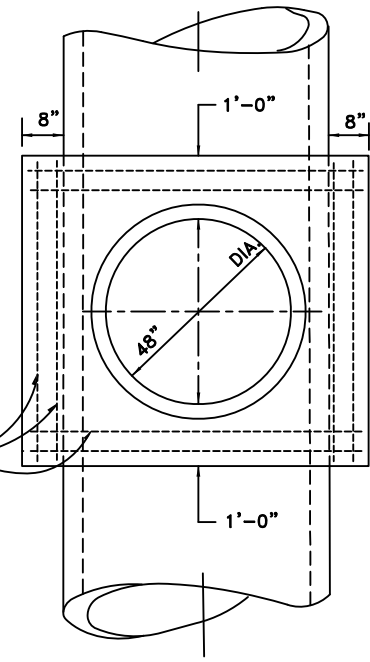
**TYPE B**

1. ALL PIPE OTHER THAN CAST-IN-PLACE PIPE
2. CAST-IN-PLACE PIPE LESS THAN 48" DIA.

**NOTE:**

REMOVE CONCRETE IN MANHOLE OPENING AND CONSTRUCTION RISER BASE WHILE CONCRETE IS STILL FRESH

PLACE RISER SECTION AFTER CONCRETE HAS SET



**SECTION A-A**

*[Signature]*  
ROB JENSEN  
DIRECTOR OF PUBLIC WORKS/CITY ENGINEER



DEPARTMENT OF  
PUBLIC WORKS

**TYPE A & B SADDLE  
MAHOLE**

SCALE: NONE  
REVISED: MARCH 2007  
DRAWN BY: STAFF  
APPROVED BY: R JENSEN

DR-5