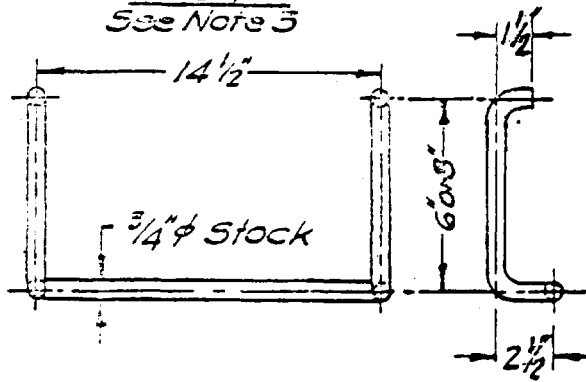
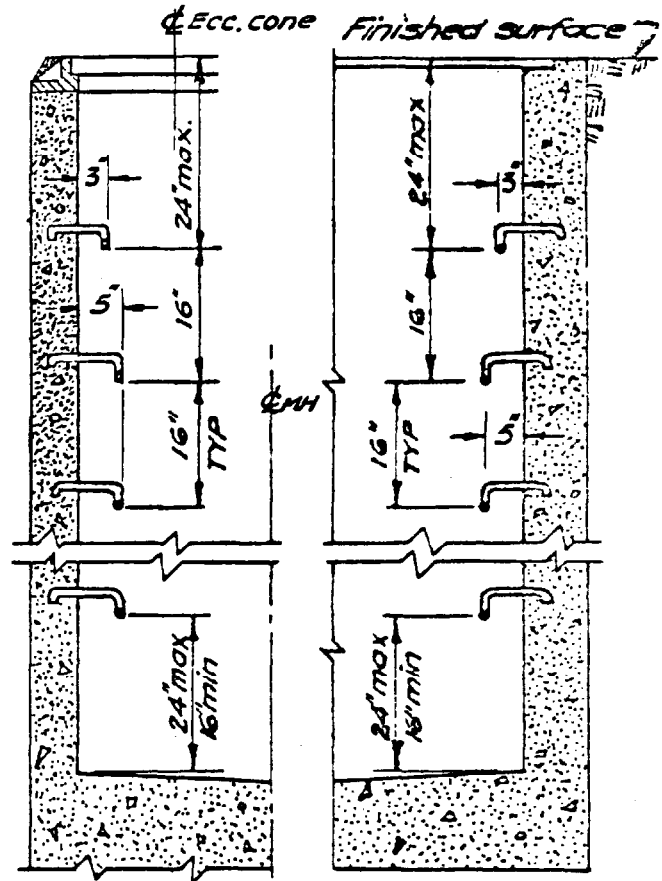


PLAN
See Note 3



DETAIL



MH SECTION

VAULT SECTION

UNLESS OTHERWISE SPECIFIED ON PLANS AND SPECIFICATIONS:

1. Material shall be $\frac{3}{4}$ ϕ steel, conforming to ASTM A-15 or A-107, galvanized, after fabrication, in accordance with ASTM A-123.
2. Steps 6" in length shall be used in 24" I.D. manhole units. Steps 8" in length shall be used in 48" and 60" I.D. manhole units.
3. In sewer manholes, install the steps so that they will not interfere with cleaning equipment.

CITY OF BREA

Lidney L. Lowrey

CITY ENGINEER

STANDARD

MANHOLE STEPS

406

ENGINEER: [REDACTED] AS [REDACTED] ERL [REDACTED]
 ORANGE CO NO. 5709
 STATE OF CALIF. [REDACTED]
 DATED: 4-23-67
 REV: 9-1-68