

PRODUCT NUMBER

00369721A01

CATALOG NUMBER

3697Z
3697C

**MONUMENT
BOX ASSY**

LOAD RATING

HEAVY DUTY

COATING

DIPPED

MATERIAL SPECIFICATION

FRAME - GRAY IRON
ASTM A48 CL35B

COVER - GRAY IRON
ASTM A48 CL35B

OPEN AREA
N/A

√ DESIGNATES MACHINED
SURFACE

DRAWN
GAD

DATE
03/05/09

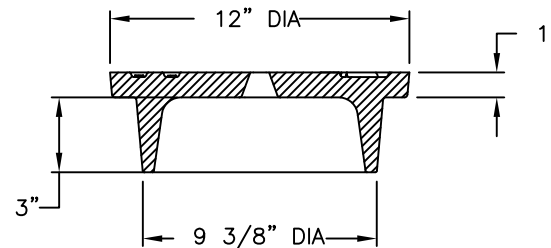
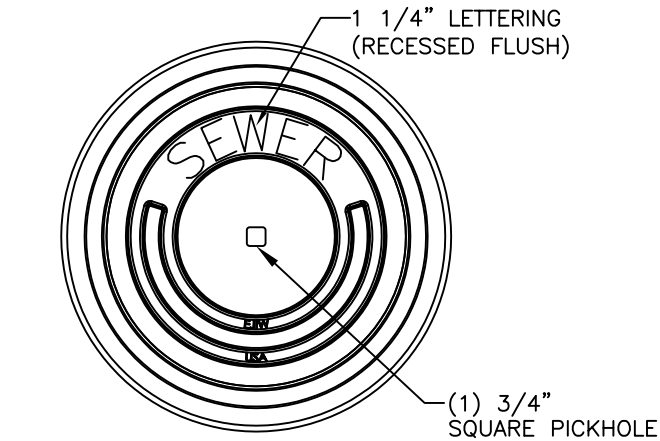
LAST REVISED

DATE

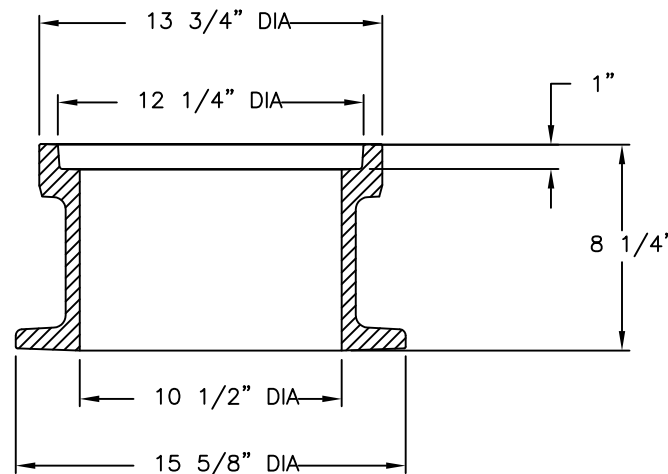
REFERENCE INFORMATION

00369710

00369721



COVER SECTION



FRAME SECTION