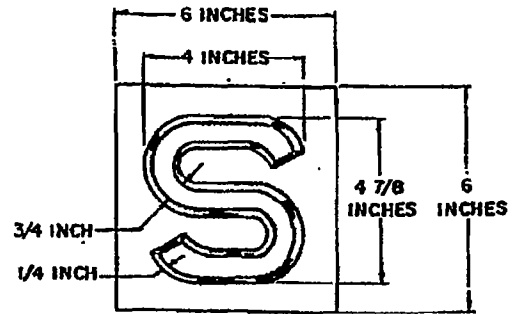
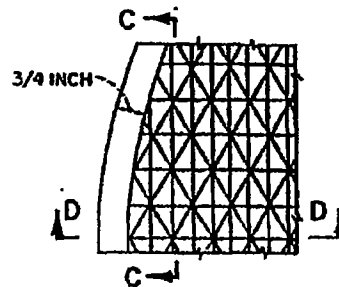


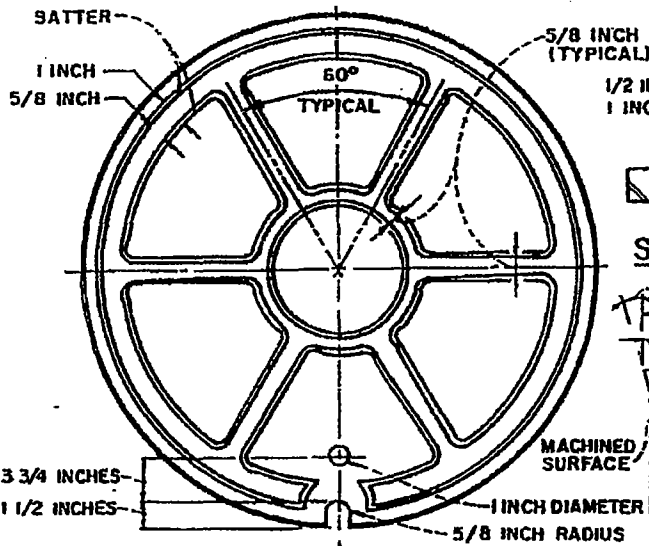
PLAN OF TOP



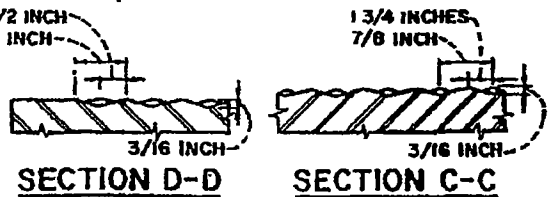
PLAN OF LETTER



DETAIL OF DIAMONDS

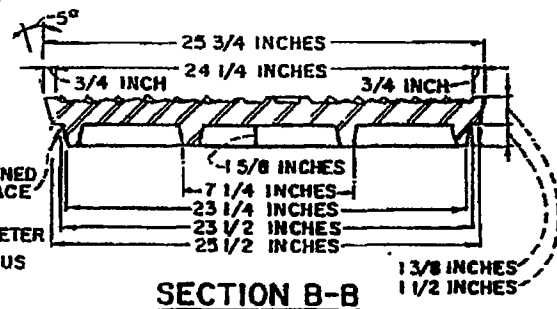


PLAN OF BOTTOM



SECTION D-D

SECTION C-C



SECTION B-B

NOTES

1. CAST IRON SHALL CONFORM TO A.S.T.M. SPECIFICATION A-48-64 CLASS 30 MINIMUM.
2. TOP EDGE OF MANHOLE COVER SHALL BE FLUSH WITH TOP EDGE OF FRAME $\pm 1/32$ INCH.
3. DIAMETER OF TOP OF MANHOLE COVER SHALL NOT EXCEED A DIMENSIONAL TOLERANCE OF $\pm 1/16$ INCH.

LONG BEACH WATER DEPARTMENT

MANHOLE COVER

DESIGNED BY	RECOMMENDED
CHECKED BY JUNIER	<i>[Signature]</i>
DATE 5-25-89	BUREAU ENGINEER C.E. NO. 10113
SCALE NONE	APPROVED
SUPERSEDED DWG. NO.	<i>[Signature]</i>
S-SD-11	GENERAL MANAGER C.E. NO. 10046
DRAWN BY GONZALEZ	SHEET 3 OF 4
	WDS-505