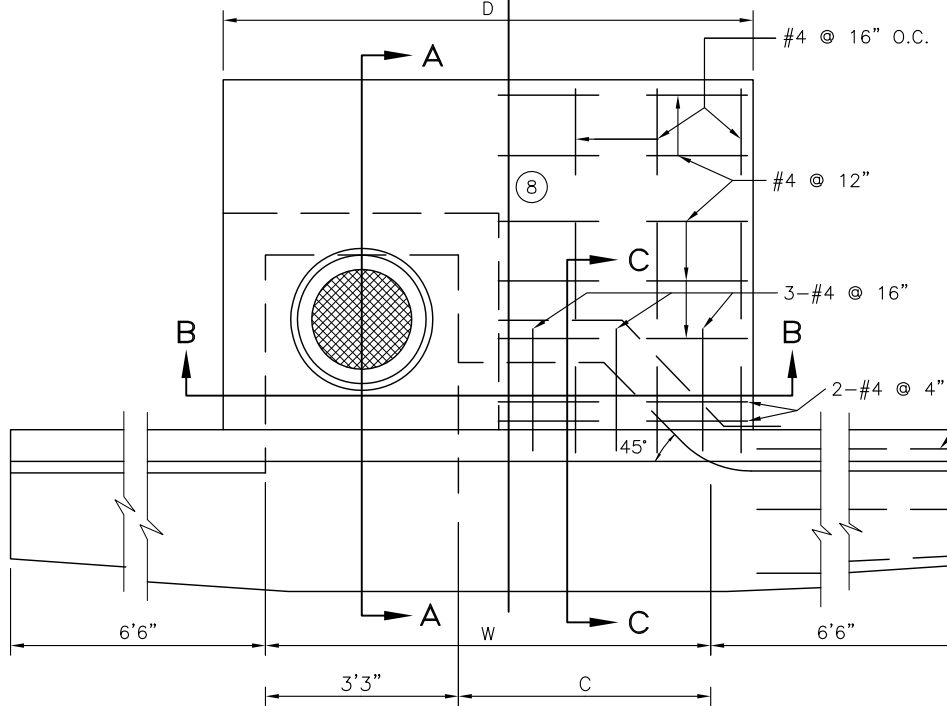
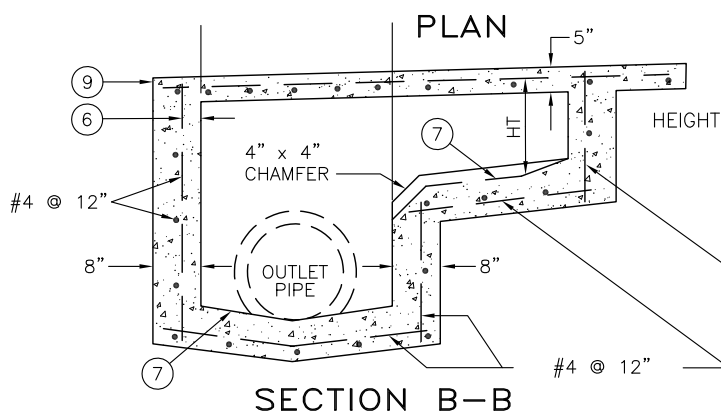


THIS PORTION TO BE BUILT AS ENG. STD #3350

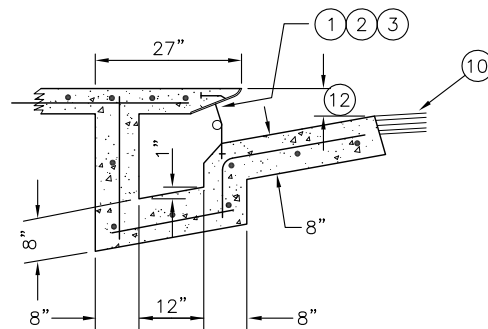


WIDTH W	7'3"	10'9"	14'6"
C	4'0"	7'6"	11'2"
D	8'6"	12'2"	15'9"

LONGITUDINAL BARS SHALL EXTEND FULL LENGTH OF GUTTER



HEIGHT "HT" EQUALS 18" FOR A 6" CURB
& 20" FOR A 8" CURB



GENERAL NOTE:

- A. SEE ENGINEERING STANDARD #3350 AND #3355 FOR NOTES AND SECTION A-A.
- B. INSTALL CATCH BASIN PLACARD PER SECTION 78 OF THE STANDARD SPECIFICATIONS.

REVISIONS	BY	APP	DATE
Revised General Note "A"	MH	JDW	10-04
Revise re-bar specs	JDL	WAP	11-98
Added General Note "B"	MH	BL	11-05
STANDARD CURRENT AS OF:		January 2008	



**CATCH BASIN
EXTENDED SIDE OPENING**

3360