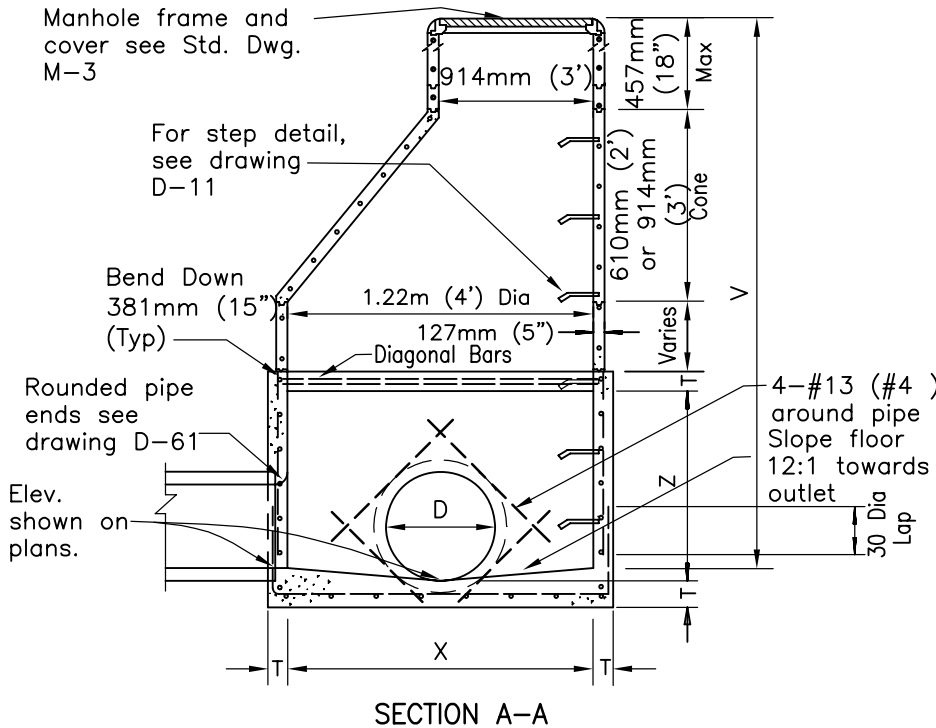


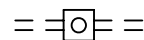
TYPE	PIPE DIAMETER	X	Y	Z
A 4	up to 1.30m (51")	1.22m (4')	1.53m (5')	1.53m (5')
A 5	1.37m (54") to 1.52m (60")	1.22m (4')	1.83m (6')	1.83m (6')
A 6	1.60m (63") to 1.80m (69")	1.22m (4')	2.13m (7')	2.13m (7')
A 7	1.83m (72") to 2.10m (81")	1.22m (4')	2.44m (8')	2.44m (8')
A 8	2.13m (84") to 2.30m (90")	1.22m (4')	2.74m (9')	2.74m (9')



**NOTES**

1. See Standard Drawing D-11 for additional notes and details.
2. All joints shall be set in Class C mortar.
3. All precast components shall be reinforced with 6.35mm (1/4") diameter steel wound spirally on 102mm (4") centers.
4. Maintain 38mm (1-1/2") clear spacing between reinforcing and surface.
5. Concrete base shall be 332kg/M3-C-22-Mpa (560-C-3250).
6. Exposed edges of concrete shall be rounded with a radius of 13mm (1/2").
7. Manhole cover to be designated "Storm Drain".

**LEGEND ON PLANS**



Revision	By	Approved	Date
ORIGINAL		Kercheval	12/75
Add Metric		T. Stanton	03/03
Reformatted		T. Stanton	04/06

**SAN DIEGO REGIONAL STANDARD DRAWING**

**STORM DRAIN CLEANOUT - TYPE B**

RECOMMENDED BY THE SAN DIEGO REGIONAL STANDARDS COMMITTEE

*T. Stanton* 3/11/2003  
Chairperson R.C.E. 19246 Date

DRAWING NUMBER **D-10**