

EAST JORDAN  
IRON WORKS, INC.  
P.O. BOX 439  
EAST JORDAN, MI. 49727  
1-800-874-4100  
FAX 231-536-4458

DRAWN DEW	DATE 01/20/04
--------------	------------------

APPROVED	DATE
----------	------

## MANHOLE COVER (LBIW X118)

PRODUCT NO.

**00311825**

CATALOG NO.

**3118C**

REF. PRODUCT DRAWING

311820

EST. WT.

COVER: 260 LBS 118kg

OPEN AREA

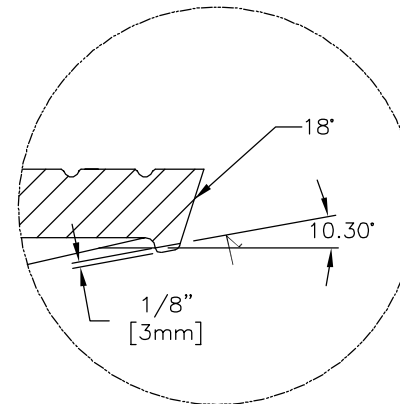
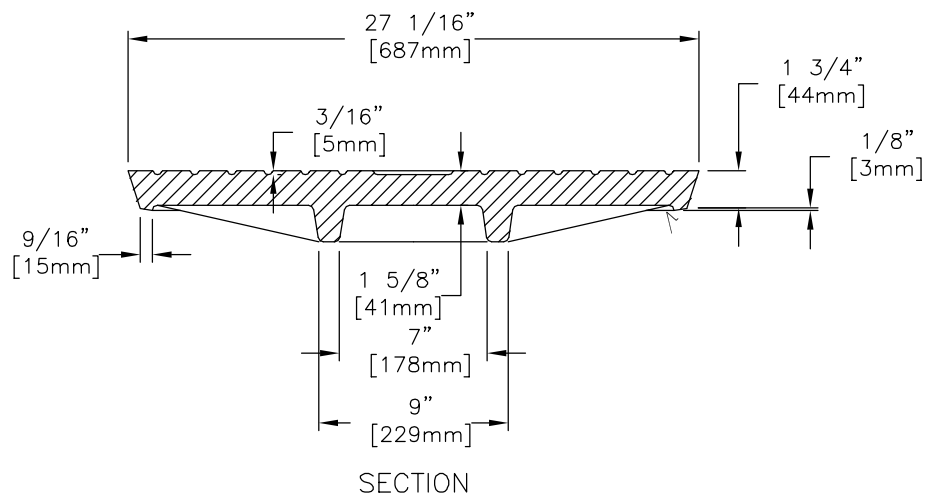
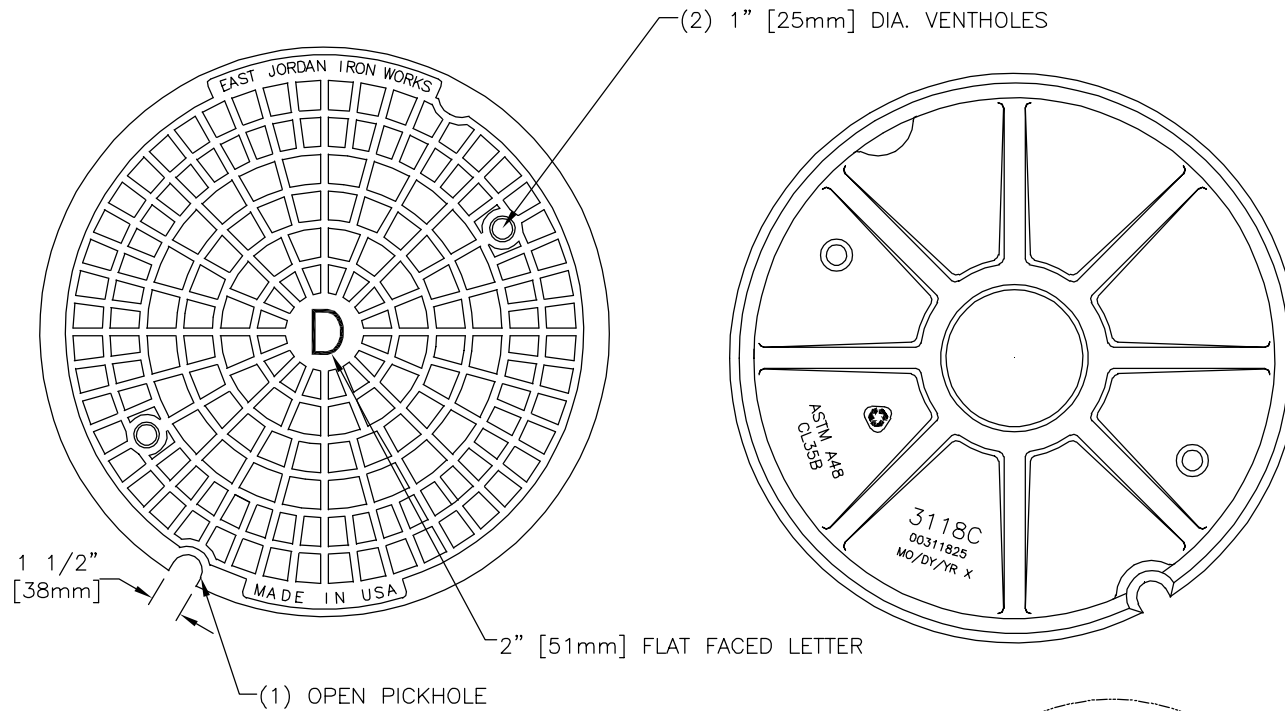
N/A

MAT'L SPEC.

COVER - GRAY IRON  
ASTM A48 CL35

LOAD RATING

HEAVY DUTY



MACHINE DETAIL

√ MACHINED SURFACE

SECTION