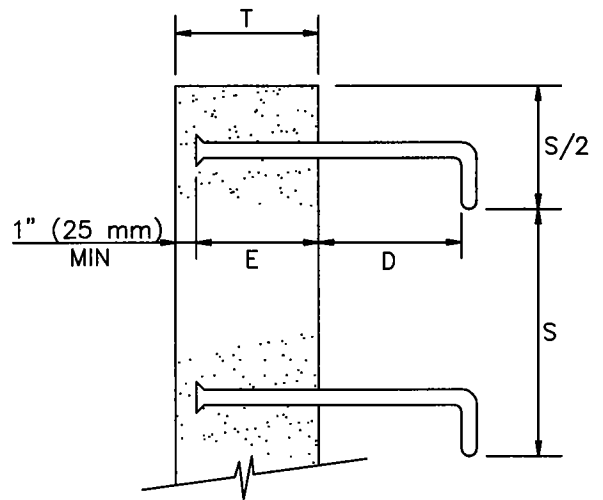


END DETAILS - SIDE VIEW



INSTALLATION DETAIL

UNLESS OTHERWISE NOTED:

- D = 7" (175 mm)
- E = 6" (150 mm) OR T - 1" (25 mm), WHICHEVER IS LESS  
MINIMUM E IS 3" (75 mm)
- S = 12" (300 mm) MAX, EVENLY SPACED
- W = 16" (400 mm) MIN

- FOR MANHOLES AND UNDERGROUND VAULTS:
- S = 16" (400 mm) MAX, EVENLY SPACED
- W = 14" (350 mm) MIN

STANDARD PLANS FOR PUBLIC WORKS CONSTRUCTION

PROMULGATED BY THE  
PUBLIC WORKS STANDARDS INC.  
GREENBOOK COMMITTEE  
1984  
REV. 1992, 1996, 2009

STEEL STEP

USE WITH STANDARD SPECIFICATIONS FOR PUBLIC WORKS CONSTRUCTION

STANDARD PLAN

635-3

SHEET 1 OF 2