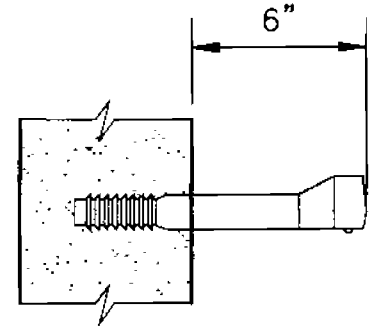
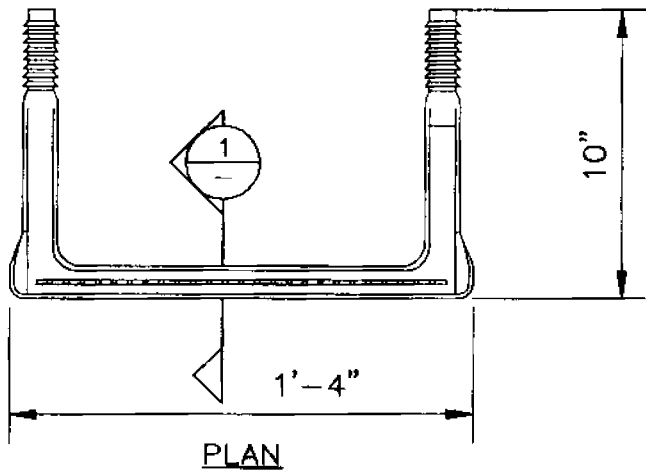
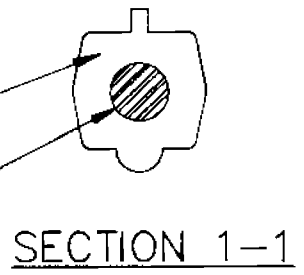


CAST-IN-PLACE

COPOLYMER POLYPROPYLENE PLASTIC
 1/2" Ø GRADE 60 STEEL REINFORCEMENT



DRILLED-IN-PLACE

REVISION 1	DATE 3/02	BY P&E	DESCRIPTION GENERAL	CALLEGUAS MUNICIPAL WATER DISTRICT <hr/> THOUSAND OAKS CALIFORNIA	STANDARD DRAWINGS	DWG NO 706
APPROVED <i>Susan B. Mulligan</i> 4/25/02 MANAGER OF ENGINEERING DATE					STEP DETAIL	